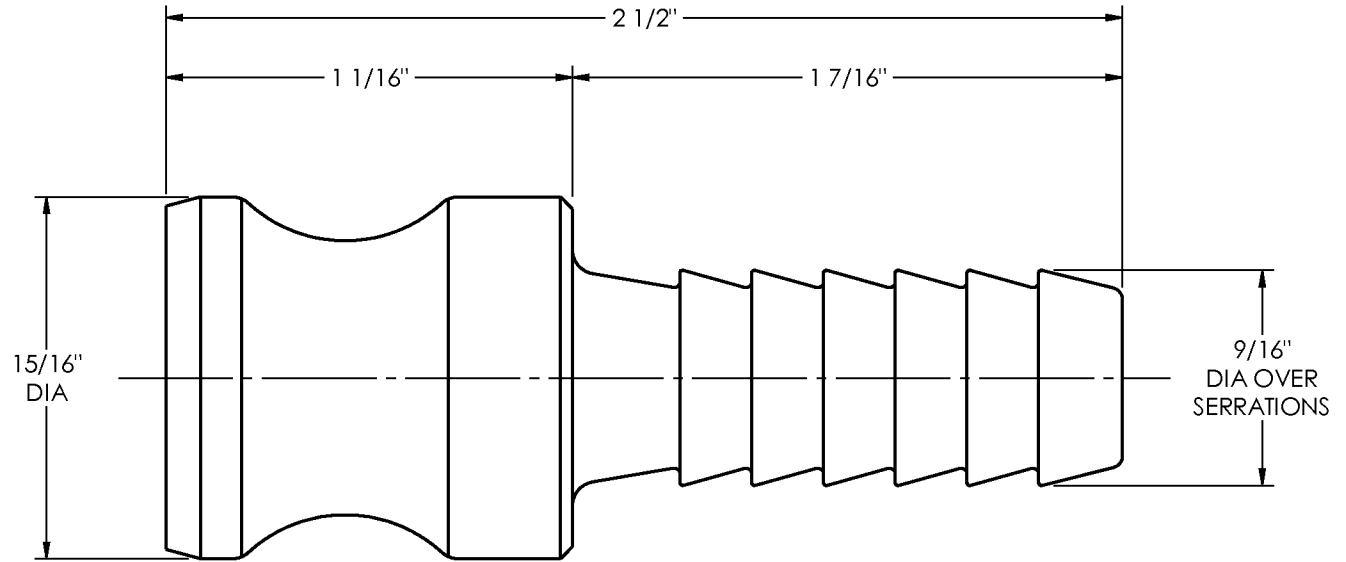
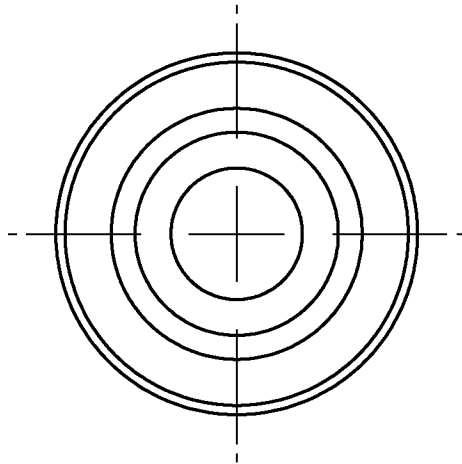


50-E-AL

CUSTOMER DWG



AGREEMENT TO MAINTAIN CONFIDENTIALITY

This drawing is owned by Dixon Valve & Coupling Co. and shall be returned upon demand. It is loaned on condition that it shall not be copied or reproduced or submitted to others without the owners consent. In accepting it subject to this condition the recipient further agrees that this drawing or any design detail or concept disclosed herein shall not be used in any way detrimental to or in competition with the owner. If the recipient does not agree to the terms of this agreement they shall return this drawing immediately. The information contained in this drawing is subject to change without notice.

REV:

DWG. NO.: 5247

CUSTOMER DWG

DIXON VALVE & COUPLING CO.
U. S. A.

TITLE

DIXON/BOSS-LOCK TYPE E ADAPTER
1/2" ADAPTER X HOSE SHANK

DRWN BY:

FJM
4/14/11

CHECKED BY: FJM

4/19/11

APPROVAL:

SE
4-20-11

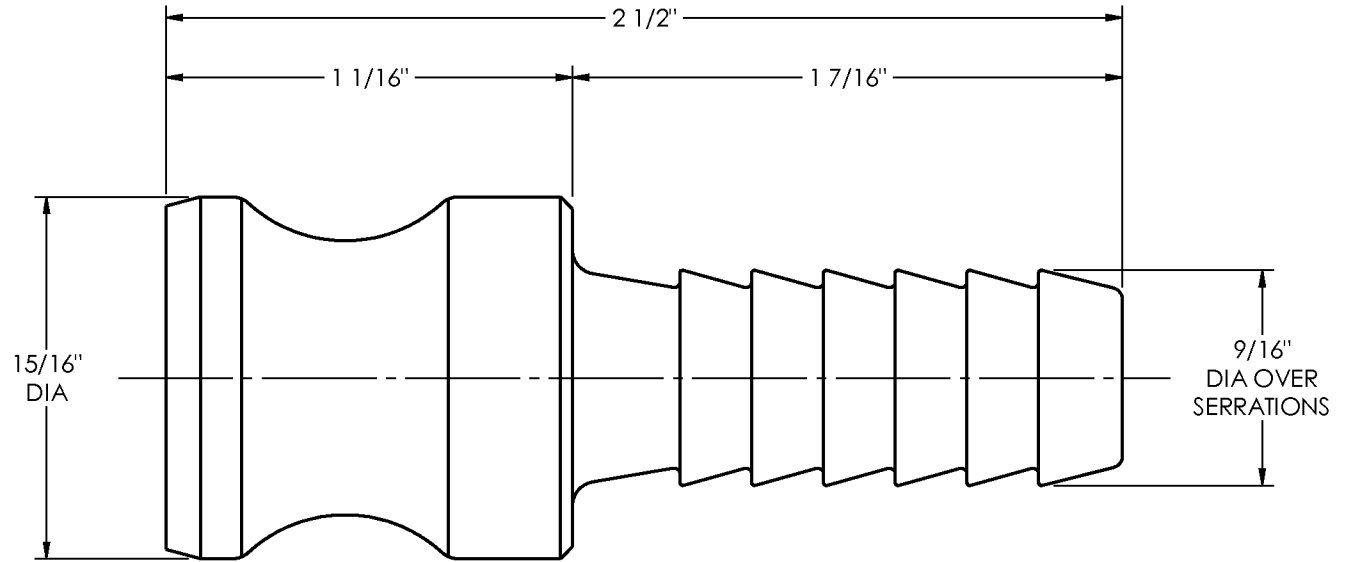
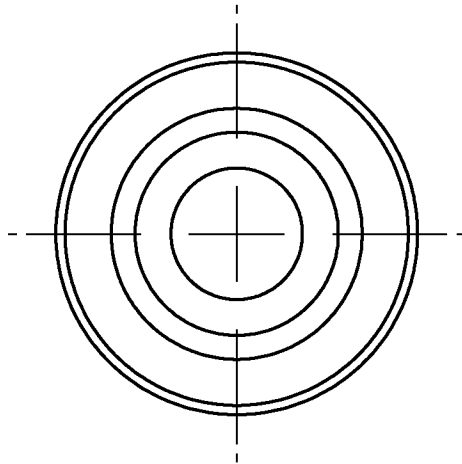
MAT'L:

ALUMINUM

50-E-AL

50-E-BR

CUSTOMER DWG



AGREEMENT TO MAINTAIN CONFIDENTIALITY

This drawing is owned by Dixon Valve & Coupling Co. and shall be returned upon demand. It is loaned on condition that it shall not be copied or reproduced or submitted to others without the owners consent. In accepting it subject to this condition the recipient further agrees that this drawing or any design detail or concept disclosed herein shall not be used in any way detrimental to or in competition with the owner. If the recipient does not agree to the terms of this agreement they shall return this drawing immediately. The information contained in this drawing is subject to change without notice.

REV:

DWG. NO.: 5248

CUSTOMER DWG

DIXON VALVE & COUPLING CO.
U. S. A.

TITLE

DIXON/BOSS-LOCK TYPE E ADAPTER
1/2" ADAPTER X HOSE SHANK

DRWN BY:

FJM
4/14/11

CHECKED BY:

FJM
4/19/11

APPROVAL:

SE
4-20-11

MAT'L:

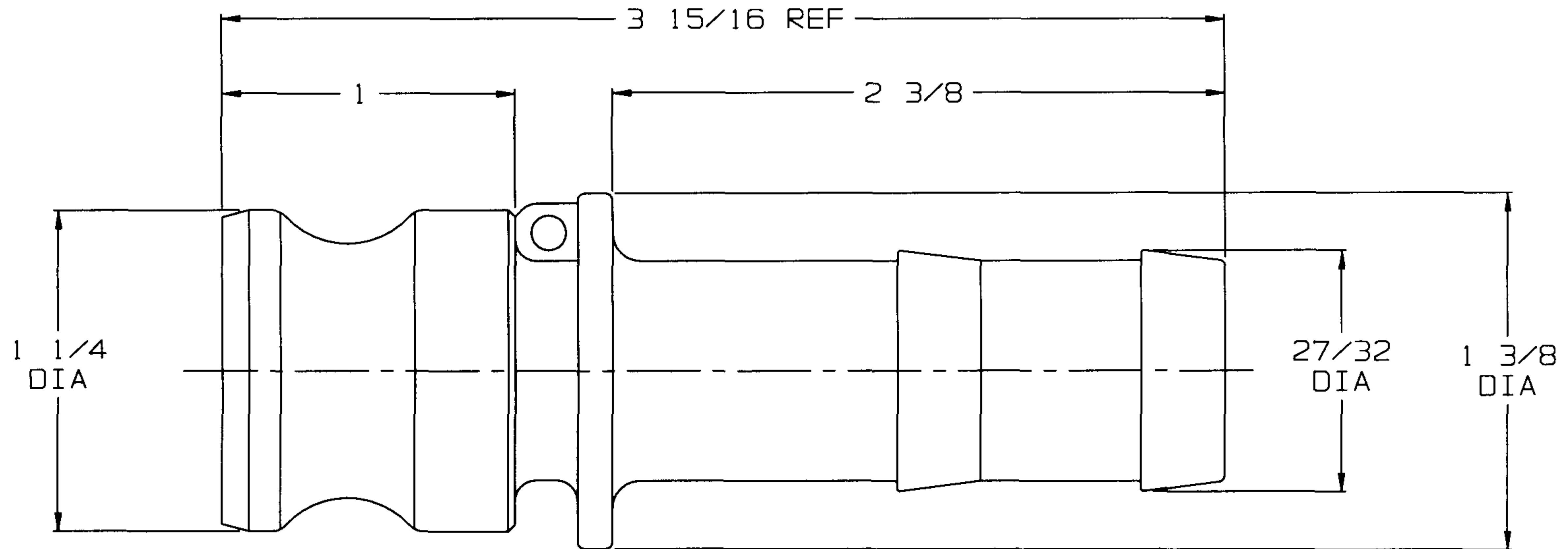
BRASS

50-E-BR

2860-A

6/8/09

CUSTOMER DWG



75-E-AL
75-E-MI
75-E-PM

CUSTOMER DWG



AGREEMENT TO MAINTAIN CONFIDENTIALITY

This drawing is owned by Dixon Valve & Coupling Co. and shall be returned upon demand. It is loaned on condition that it shall not be copied or reproduced or submitted to others without the owners consent. In accepting it subject to this condition the recipient further agrees that this drawing or any design detail or concept disclosed herein shall not be used in any way detrimental to or in competition with the Owner. If the recipient does not agree to the terms of this agreement, they shall return this drawing immediately.

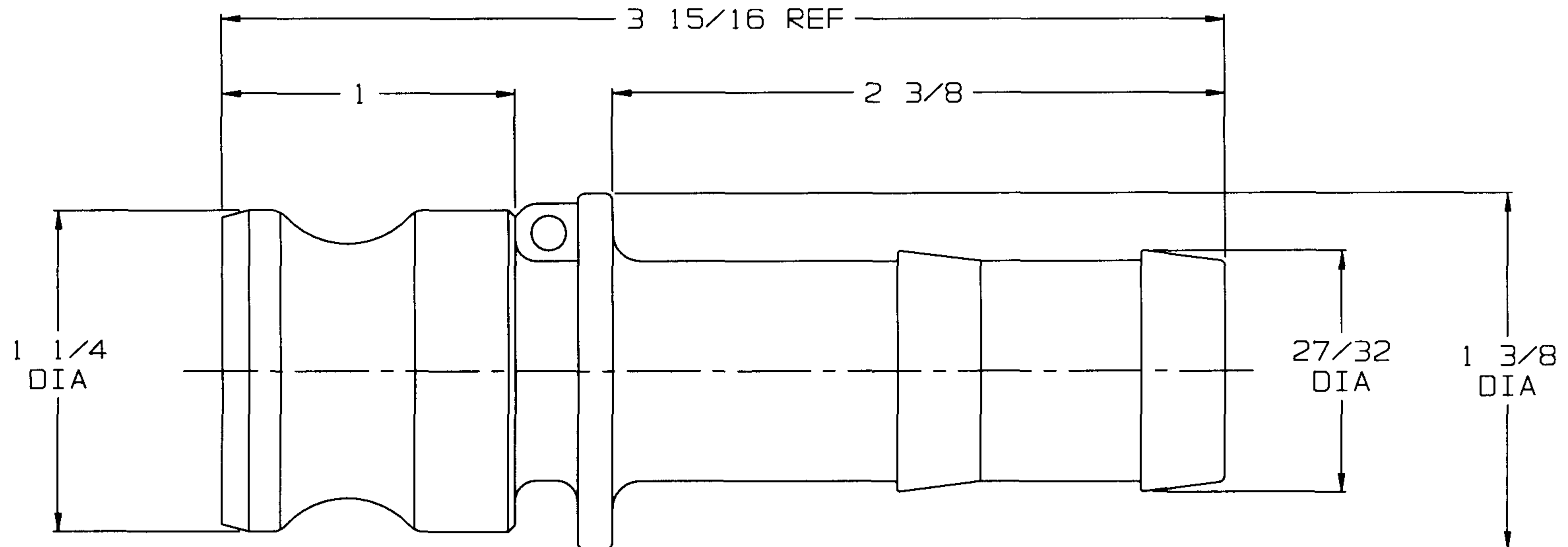
DIXON VALVE & COUPLING CO.
 U. S. A.

TITLE		
3/4" ADAPTER x HOSE SHANK		
DRAWN BY:	CHECKED BY:	APPROVAL:
TDJ 07/24/08		<i>AE</i> 7-25-08
MAT'L ALUMINUM, MALLEABLE IRON AND PLATED MALLEABLE		2860-A

2860-A

6/8/09

CUSTOMER DWG



75-E-AL
75-E-MI
75-E-PM

CUSTOMER DWG



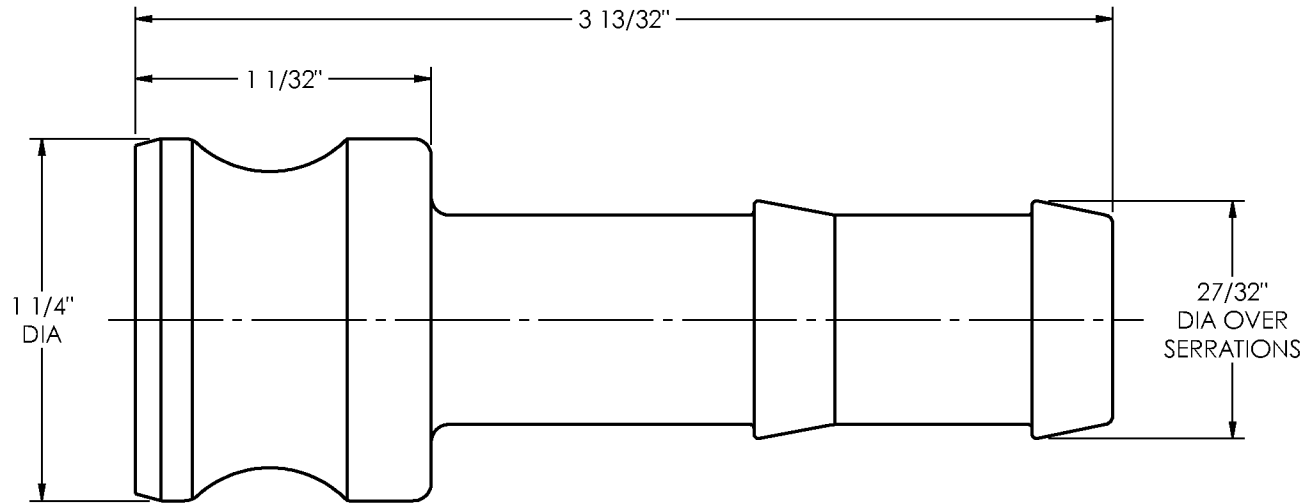
AGREEMENT TO MAINTAIN CONFIDENTIALITY

This drawing is owned by Dixon Valve & Coupling Co. and shall be returned upon demand. It is loaned on condition that it shall not be copied or reproduced or submitted to others without the owners consent. In accepting it subject to this condition the recipient further agrees that this drawing or any design detail or concept disclosed herein shall not be used in any way detrimental to or in competition with the Owner. If the recipient does not agree to the terms of this agreement, they shall return this drawing immediately.

DIXON VALVE & COUPLING CO. U. S. A.		
TITLE 3/4" ADAPTER x HOSE SHANK		
DRAWN BY: TDJ 07/24/08	CHECKED BY:	APPROVAL: <i>AE</i> 7-25-08
MAT'L ALUMINUM, MALLEABLE IRON AND PLATED MALLEABLE		2860-A

75-E-SS

CUSTOMER DWG



AGREEMENT TO MAINTAIN CONFIDENTIALITY

This drawing is owned by Dixon Valve & Coupling Co. and shall be returned upon demand. It is loaned on condition that it shall not be copied or reproduced or submitted to others without the owners consent. In accepting it subject to this condition the recipient further agrees that this drawing or any design detail or concept disclosed herein shall not be used in any way detrimental to or in competition with the owner. If the recipient does not agree to the terms of this agreement they shall return this drawing immediately. The information contained in this drawing is subject to change without notice.

REV: C

DWG NO.: 3134

CUSTOMER DWG

DIXON VALVE & COUPLING CO.
U. S. A.

TITLE

3/4" DIXON/BOSS-LOCK TYPE E ADAPTER

DRWN BY:

ARP
12/14/11

CHECKED BY:

GJT
12/14/11

APPROVAL:

GJT
12/14/11

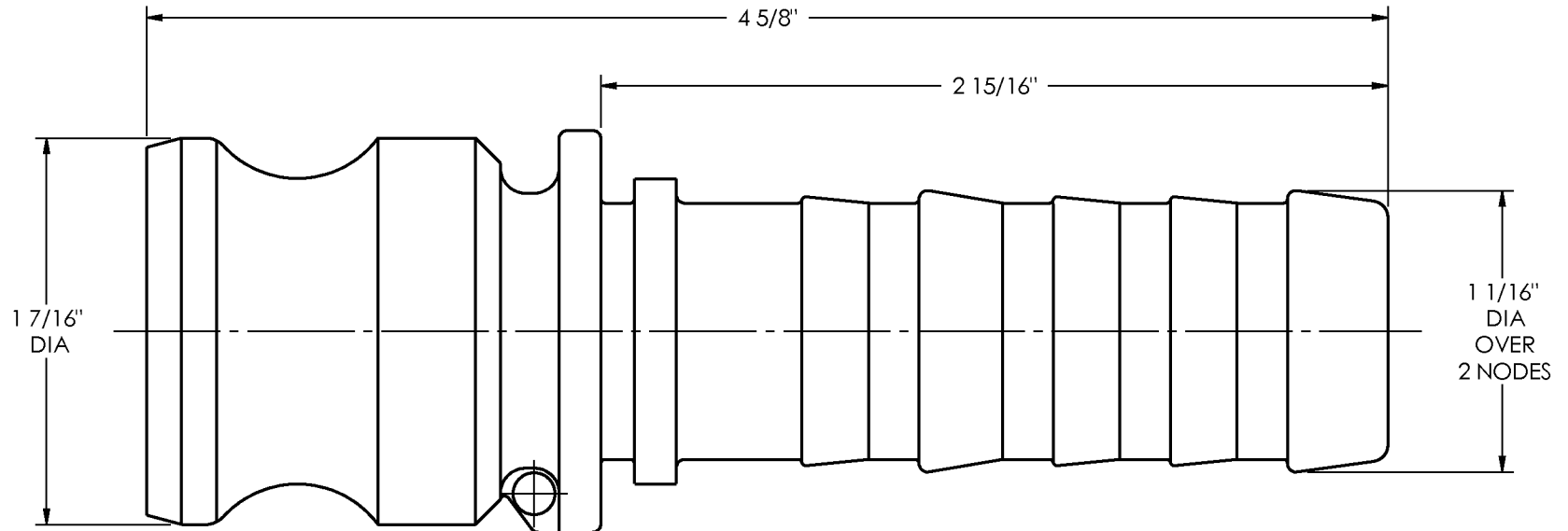
MAT'L:

STAINLESS STEEL

75-E-SS

100-E-AL

CUSTOMER DWG



DWG. NO.: 5111

CUSTOMER DWG



AGREEMENT TO MAINTAIN CONFIDENTIALITY

This drawing is owned by Dixon Valve & Coupling Co. and shall be returned upon demand. It is loaned on condition that it shall not be copied or reproduced or submitted to others without the owners consent. In accepting it subject to this condition the recipient further agrees that this drawing or any design detail or concept disclosed herein shall not be used in any way detrimental to or in competition with the owner. If the recipient does not agree to the terms of this agreement they shall return this drawing immediately. The information contained in this drawing is subject to change without notice.

REV: A

DIXON VALVE & COUPLING CO.
U. S. A.

TITLE

1" ADAPTER X MACHINE HOSE SHANK

DRWN BY:

FJM
9/22/10

CHECKED BY:

FJM
9/28/10

APPROVAL:

9/29/10

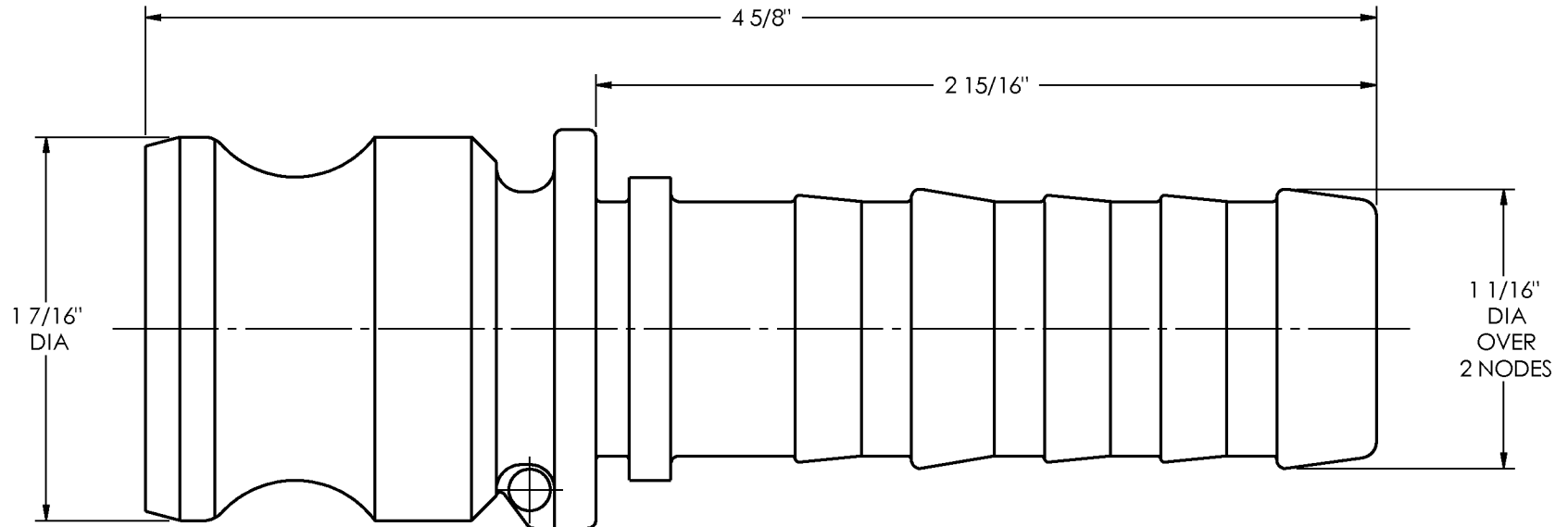
MAT'L:

ALUMINUM

100-E-AL

100-E-BR

CUSTOMER DWG



DWG. NO.: 5111

CUSTOMER DWG



AGREEMENT TO MAINTAIN CONFIDENTIALITY

This drawing is owned by Dixon Valve & Coupling Co. and shall be returned upon demand. It is loaned on condition that it shall not be copied or reproduced or submitted to others without the owners consent. In accepting it subject to this condition the recipient further agrees that this drawing or any design detail or concept disclosed herein shall not be used in any way detrimental to or in competition with the owner. If the recipient does not agree to the terms of this agreement they shall return this drawing immediately. The information contained in this drawing is subject to change without notice.

REV: A

DIXON VALVE & COUPLING CO.
U. S. A.

TITLE

1" ADAPTER X MACHINE HOSE SHANK

DRWN BY:

FJM
9/21/10

CHECKED BY:

FJM
9/28/10

APPROVAL:

JAB
9/29/10

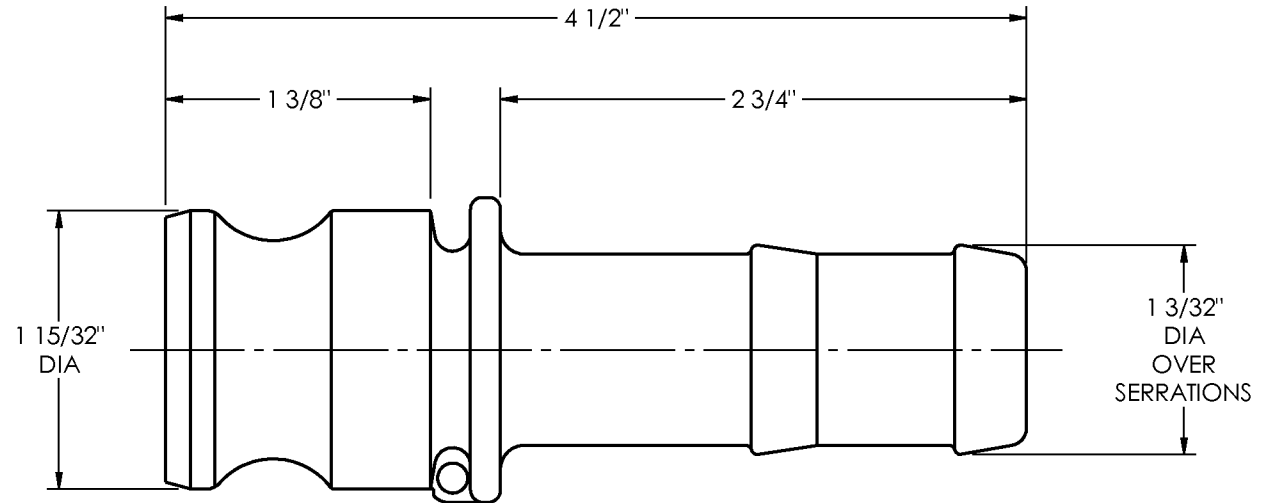
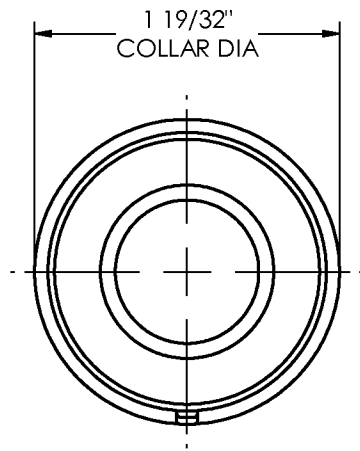
MAT'L:

BRASS

100-E-BR

100-E-PM

CUSTOMER DWG



AGREEMENT TO MAINTAIN CONFIDENTIALITY

This drawing is owned by Dixon Valve & Coupling Co. and shall be returned upon demand. It is loaned on condition that it shall not be copied or reproduced or submitted to others without the owners consent. In accepting it subject to this condition the recipient further agrees that this drawing or any design detail or concept disclosed herein shall not be used in any way detrimental to or in competition with the owner. If the recipient does not agree to the terms of this agreement they shall return this drawing immediately. The information contained in this drawing is subject to change without notice.

REV:

DWG. NO.: 5253

CUSTOMER DWG

DIXON VALVE & COUPLING CO.
U. S. A.

TITLE

1" DIXON/BOSS-LOCK TYPE E ADAPTER

DRWN BY:

FJM
5/5/11

CHECKED BY:

FJM
5/10/11

APPROVAL:

JJB
5/13/11

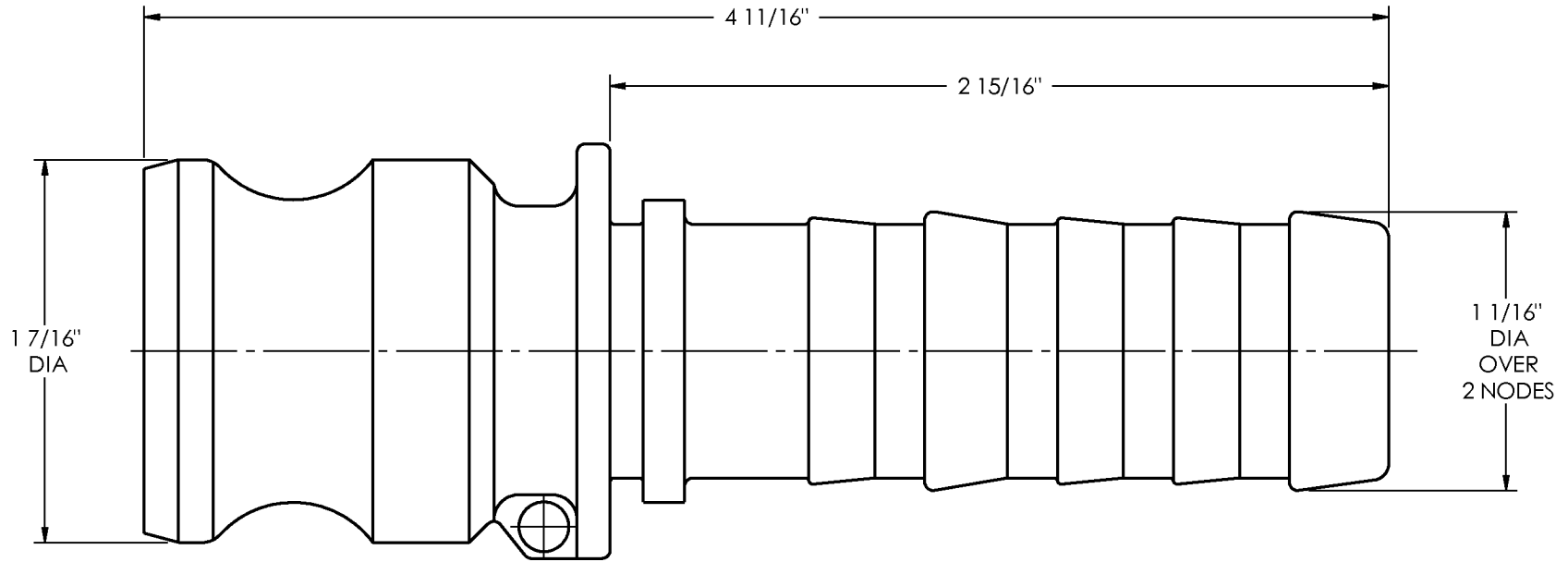
MAT'L:

ZINC PLATED
IRON

100-E-PM

100-E-SS

CUSTOMER DWG



DWG. NO.: 5086

CUSTOMER DWG

DIXON VALVE & COUPLING CO.
U. S. A.

TITLE

1" ADAPTER X MACHINE HOSE SHANK

DRWN BY:

FJM
9/22/10

CHECKED BY:

FJM
9/28/10

APPROVAL:

J.B.
9/29/10

MAT'L:

STAINLESS STEEL

100-E-SS

AGREEMENT TO MAINTAIN CONFIDENTIALITY

This drawing is owned by Dixon Valve & Coupling Co. and shall be returned upon demand. It is loaned on condition that it shall not be copied or reproduced or submitted to others without the owners consent. In accepting it subject to this condition the recipient further agrees that this drawing or any design detail or concept disclosed herein shall not be used in any way detrimental to or in competition with the owner. If the recipient does not agree to the terms of this agreement they shall return this drawing immediately.

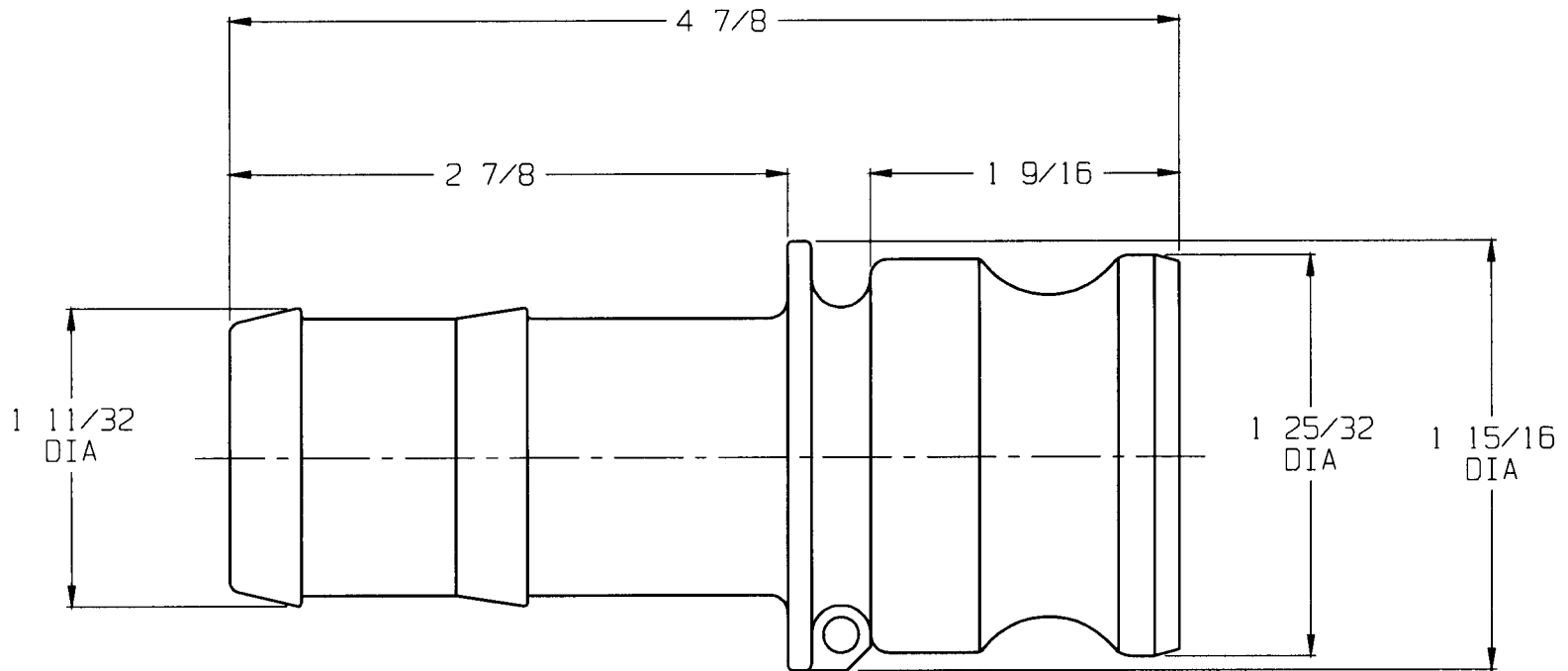
REV: A



The Right Connection™

3167

CUSTOMER DWG



125-E-SS

CUSTOMER DWG

AGREEMENT TO MAINTAIN CONFIDENTIALITY

This drawing is owned by Dixon Valve & Coupling Co. and shall be returned upon demand. It is loaned on condition that it shall not be copied or reproduced or submitted to others without the owners consent. In accepting it subject to this condition the recipient further agrees that this drawing or any design detail or concept disclosed herein shall not be used in any way detrimental to or in competition with the Owner. If the recipient does not agree to the terms of this agreement, they shall return this drawing immediately.



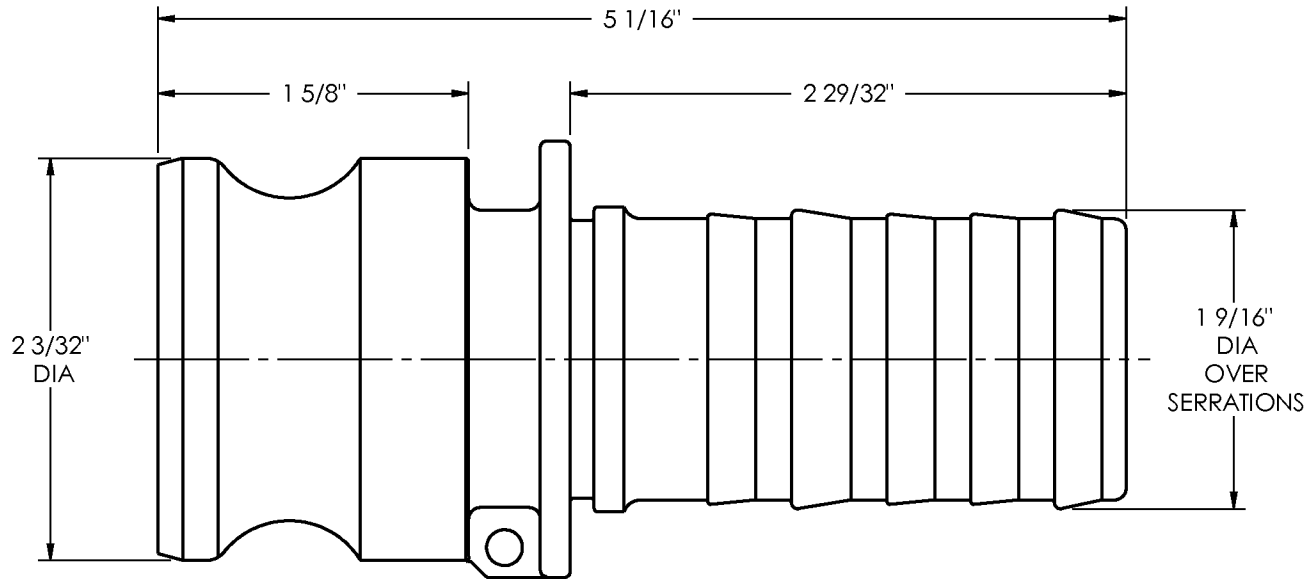
The Right Connection™

DIXON VALVE & COUPLING CO.
U. S. A.

TITLE		
1 1/4" ADAPTER x HOSE SHANK		
DRAWN BY:	CHECKED BY:	APPROVAL:
TDJ 04/04/06	AK 4-6-06	JB 4/10/06
MAT'L		
STAINLESS STEEL		3167

150-E-AL

CUSTOMER DWG



AGREEMENT TO MAINTAIN CONFIDENTIALITY

This drawing is owned by Dixon Valve & Coupling Co. and shall be returned upon demand. It is loaned on condition that it shall not be copied or reproduced or submitted to others without the owners consent. In accepting it subject to this condition the recipient further agrees that this drawing or any design detail or concept disclosed herein shall not be used in any way detrimental to or in competition with the owner. If the recipient does not agree to the terms of this agreement they shall return this drawing immediately. The information contained in this drawing is subject to change without notice.

REV: A

DWG. NO.: 5122

CUSTOMER DWG

DIXON VALVE & COUPLING CO.
U. S. A.

TITLE

1 1/2" ADAPTER X MACHINE HOSE SHANK

DRWN BY:

FJM
9/29/10

CHECKED BY:

FJM
10/11/10

APPROVAL:

JJ
10/13/10

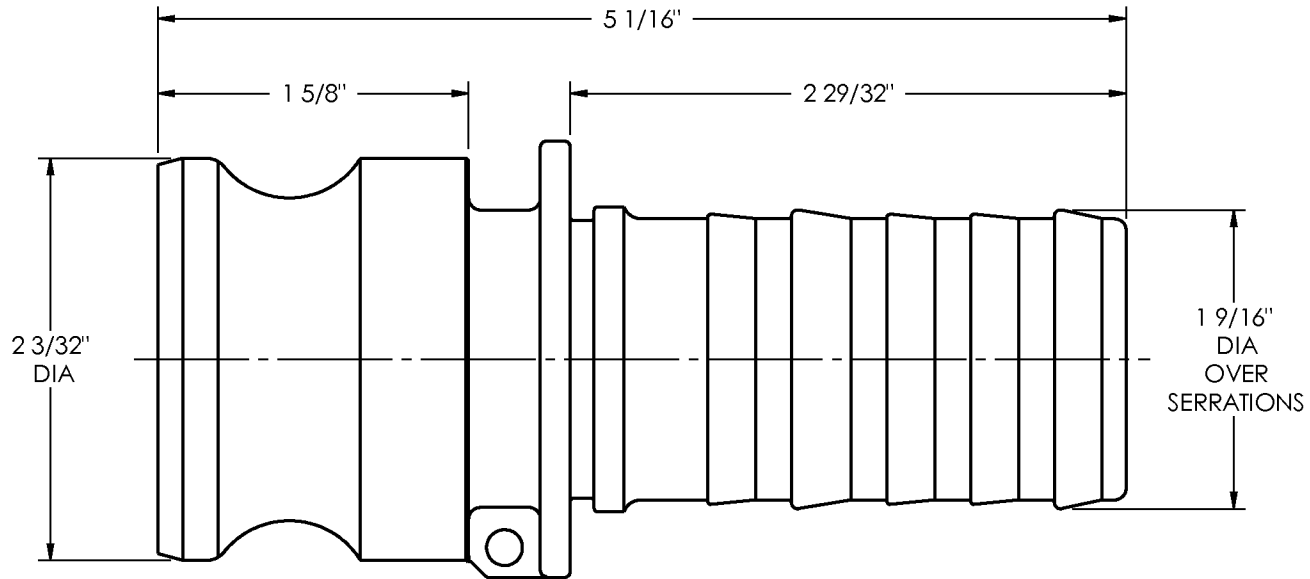
MAT'L:

ALUMINUM

150-E-AL

150-E-BR

CUSTOMER DWG



AGREEMENT TO MAINTAIN CONFIDENTIALITY

This drawing is owned by Dixon Valve & Coupling Co. and shall be returned upon demand. It is loaned on condition that it shall not be copied or reproduced or submitted to others without the owners consent. In accepting it subject to this condition the recipient further agrees that this drawing or any design detail or concept disclosed herein shall not be used in any way detrimental to or in competition with the owner. If the recipient does not agree to the terms of this agreement they shall return this drawing immediately. The information contained in this drawing is subject to change without notice.

REV: A

DWG. NO.: 5122

CUSTOMER DWG

DIXON VALVE & COUPLING CO.
U. S. A.

TITLE

1 1/2" ADAPTER X MACHINE HOSE SHANK

DRWN BY:

FJM
9/29/10

CHECKED BY:

FJM
10/11/10

APPROVAL:

JJB
10/13/10

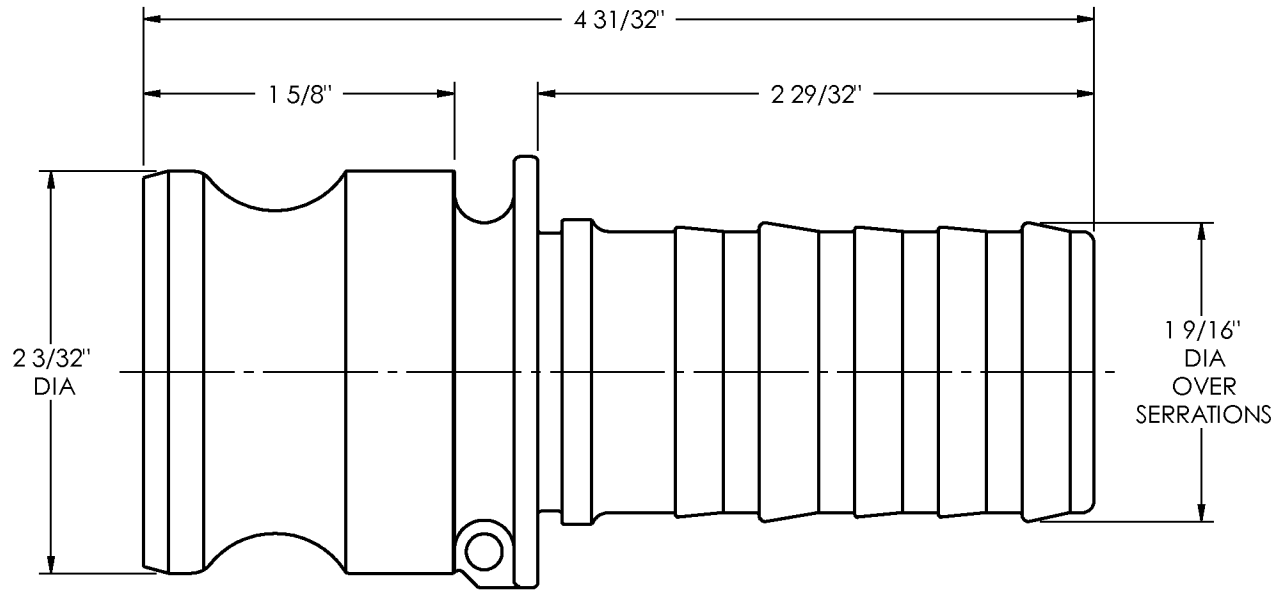
MAT'L:

BRASS

150-E-BR

150-E-SS

CUSTOMER DWG



AGREEMENT TO MAINTAIN CONFIDENTIALITY

This drawing is owned by Dixon Valve & Coupling Co. and shall be returned upon demand. It is loaned on condition that it shall not be copied or reproduced or submitted to others without the owners consent. In accepting it subject to this condition the recipient further agrees that this drawing or any design detail or concept disclosed herein shall not be used in any way detrimental to or in competition with the owner. If the recipient does not agree to the terms of this agreement they shall return this drawing immediately. The information contained in this drawing is subject to change without notice.

REV: B

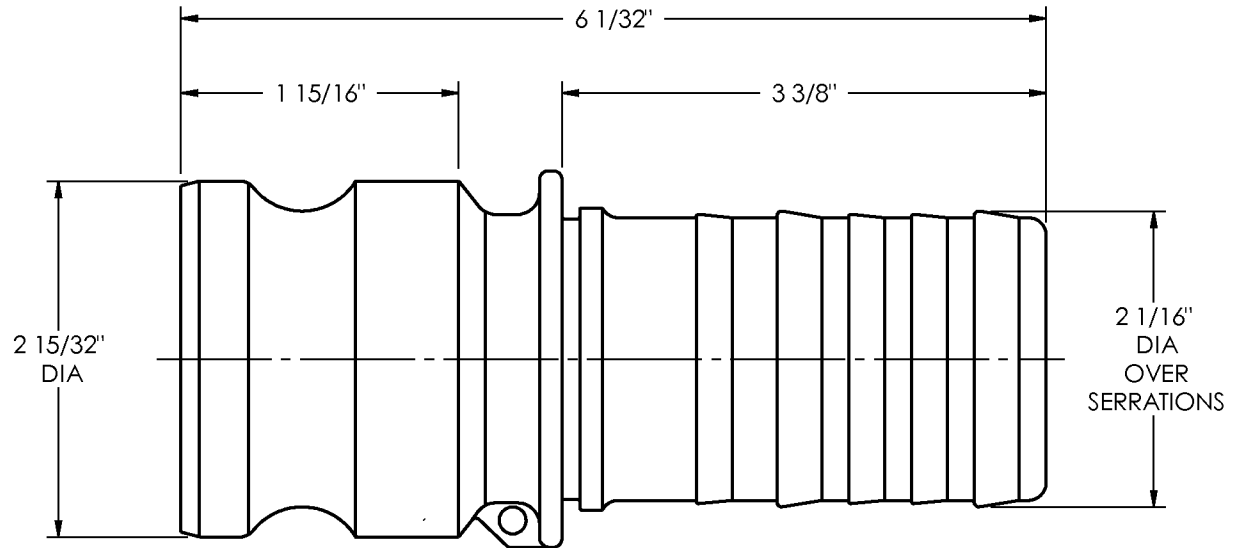
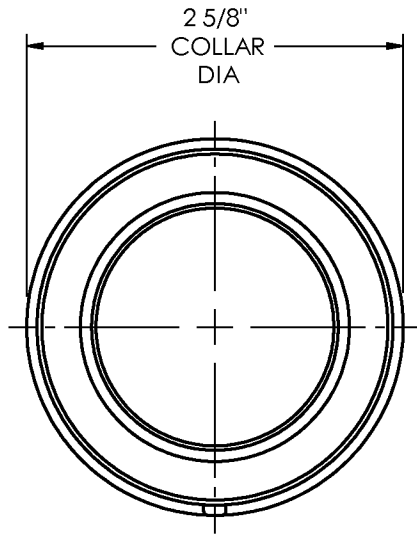
DWG. NO.: 5124

CUSTOMER DWG

DIXON VALVE & COUPLING CO. U. S. A.		
TITLE 1 1/2" ADAPTER X MACHINE HOSE SHANK		
DRWN BY: FJM 9/29/10	CHECKED BY: GMJ 3/26/12	APPROVAL: SE 4-2-12
MAT'L: STAINLESS STEEL		150-E-SS

200-E-AL

CUSTOMER DWG



DWG NO.: 5104

CUSTOMER DWG

DIXON VALVE & COUPLING CO.
U. S. A.

TITLE

2" ADAPTER X MACHINE HOSE SHANK

DRWN BY:

FJM
10/12/10

CHECKED BY:

FJM
10/22/10

APPROVAL:

JAB
10/22/10

MAT'L:

ALUMINUM

200-E-AL

AGREEMENT TO MAINTAIN CONFIDENTIALITY

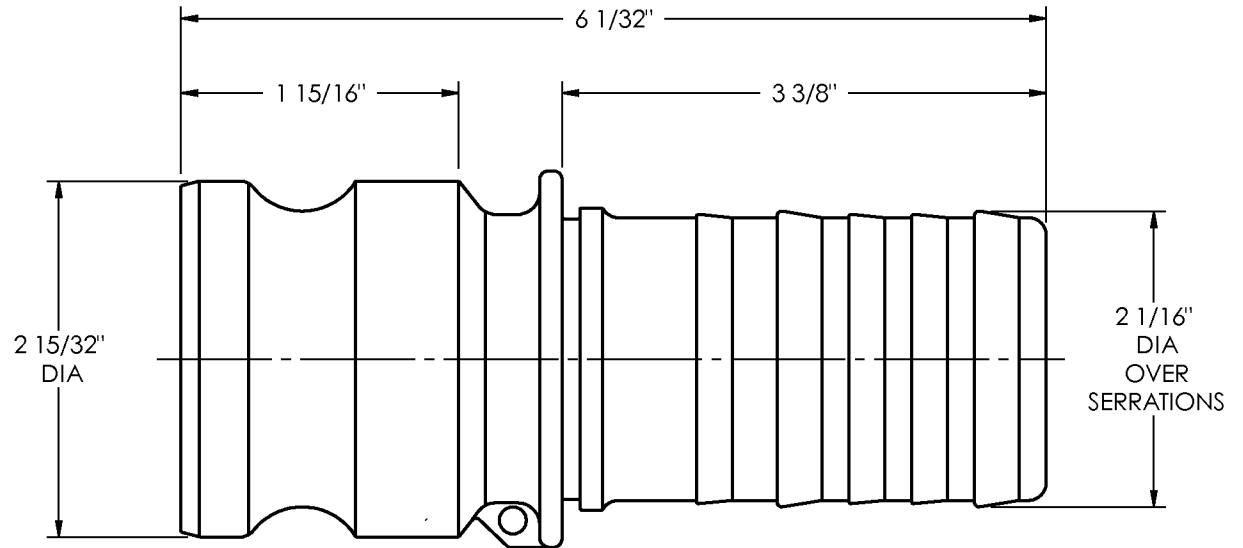
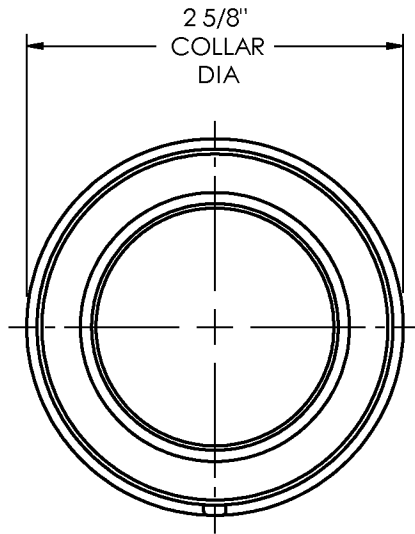
This drawing is owned by Dixon Valve & Coupling Co. and shall be returned upon demand. It is loaned on condition that it shall not be copied or reproduced or submitted to others without the owners consent. In accepting it subject to this condition the recipient further agrees that this drawing or any design detail or concept disclosed herein shall not be used in any way detrimental to or in competition with the owner. If the recipient does not agree to the terms of this agreement they shall return this drawing immediately. The information contained in this drawing is subject to change without notice.

REV: A



200-E-BR

CUSTOMER DWG



DWG NO.: 5104

CUSTOMER DWG

DIXON VALVE & COUPLING CO.
U. S. A.

TITLE

2" ADAPTER X MACHINE HOSE SHANK

DRWN BY:

FJM
10/12/10

CHECKED BY:

FJM
10/22/10

APPROVAL:

10/22/10

MAT'L:

BRASS

200-E-BR

AGREEMENT TO MAINTAIN CONFIDENTIALITY

This drawing is owned by Dixon Valve & Coupling Co. and shall be returned upon demand. It is loaned on condition that it shall not be copied or reproduced or submitted to others without the owners consent. In accepting it subject to this condition the recipient further agrees that this drawing or any design detail or concept disclosed herein shall not be used in any way detrimental to or in competition with the owner. If the recipient does not agree to the terms of this agreement they shall return this drawing immediately. The information contained in this drawing is subject to change without notice.

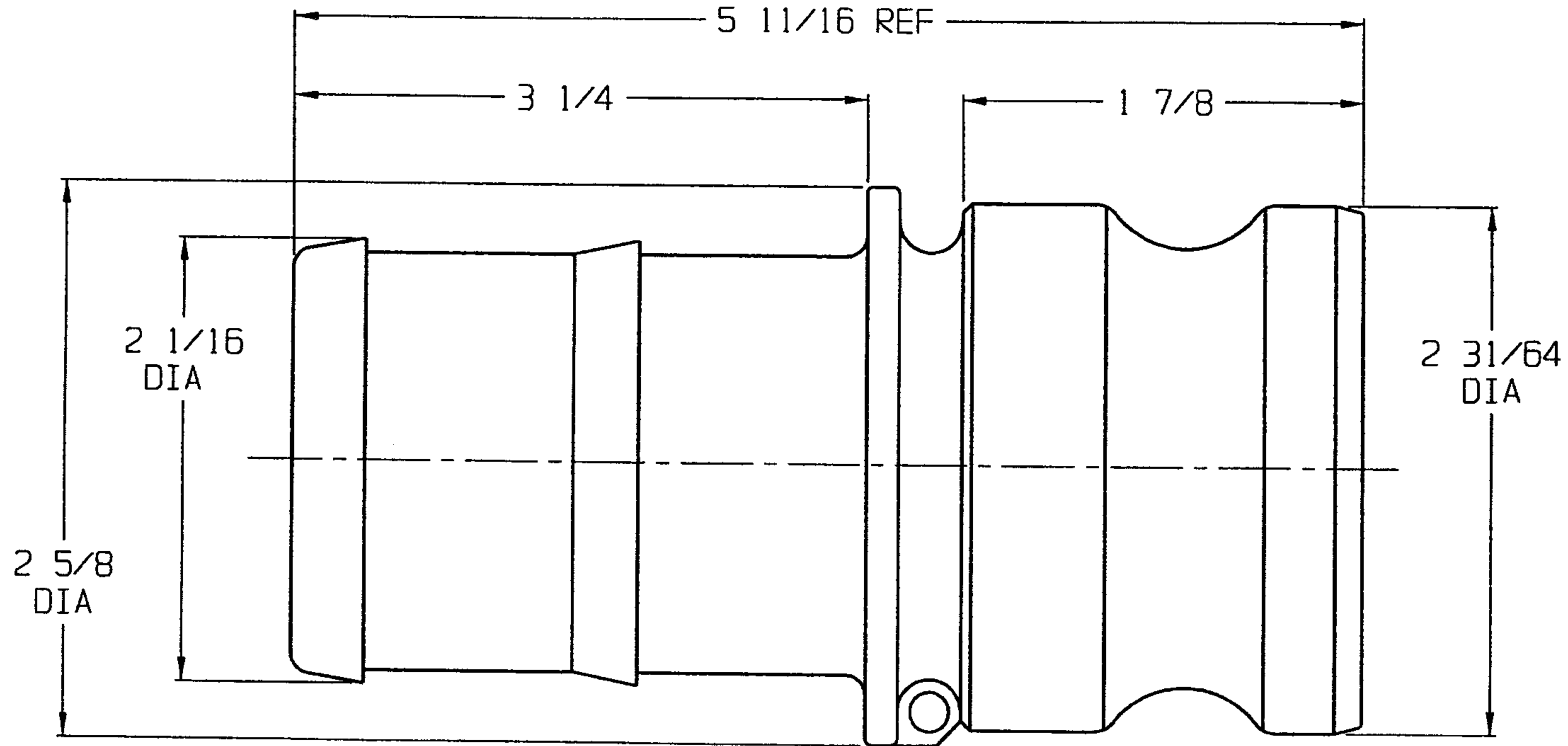
REV: A



2997

6/8/09

CUSTOMER DWG



200-E-MI

CUSTOMER DWG

AGREEMENT TO MAINTAIN CONFIDENTIALITY

This drawing is owned by Dixon Valve & Coupling Co. and shall be returned upon demand. It is loaned on condition that it shall not be copied or reproduced or submitted to others without the owners consent. In accepting it subject to this condition the recipient further agrees that this drawing or any design detail or concept disclosed herein shall not be used in any way detrimental to or in competition with the Owner. If the recipient does not agree to the terms of this agreement, they shall return this drawing immediately.



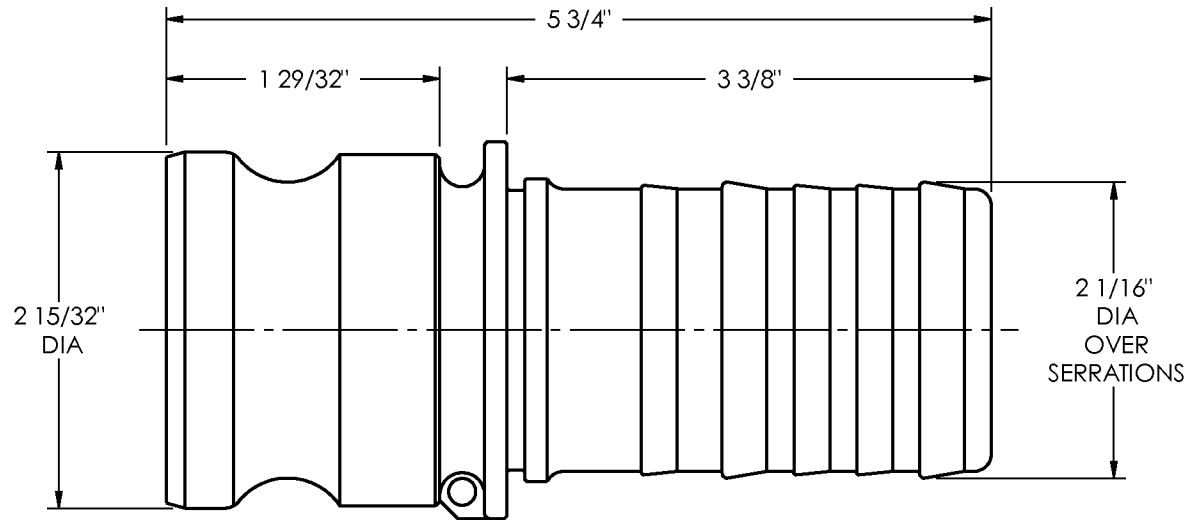
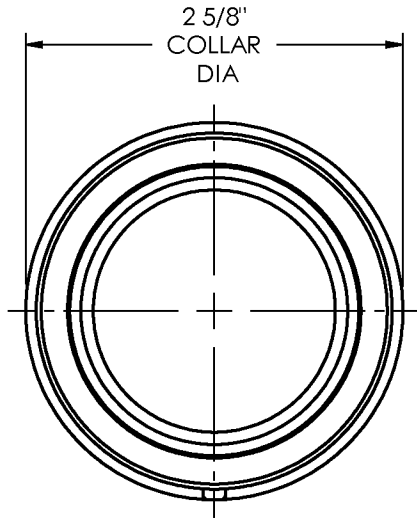
The Right Connection™

DIXON VALVE & COUPLING CO.
U. S. A.

TITLE		
2" ADAPTER x HOSE SHANK		
DRAWN BY:	CHECKED BY:	APPROVAL:
KRISTY 08/14/01	MDS 8-14-01	JJB 8/15/01
MAT'L		
MALLEABLE IRON		2997

200-E-SS

CUSTOMER DWG



AGREEMENT TO MAINTAIN CONFIDENTIALITY

This drawing is owned by Dixon Valve & Coupling Co. and shall be returned upon demand. It is loaned on condition that it shall not be copied or reproduced or submitted to others without the owners consent. In accepting it subject to this condition the recipient further agrees that this drawing or any design detail or concept disclosed herein shall not be used in any way detrimental to or in competition with the owner. If the recipient does not agree to the terms of this agreement they shall return this drawing immediately. The information contained in this drawing is subject to change without notice.

REV: A

DWG NO.: 5106

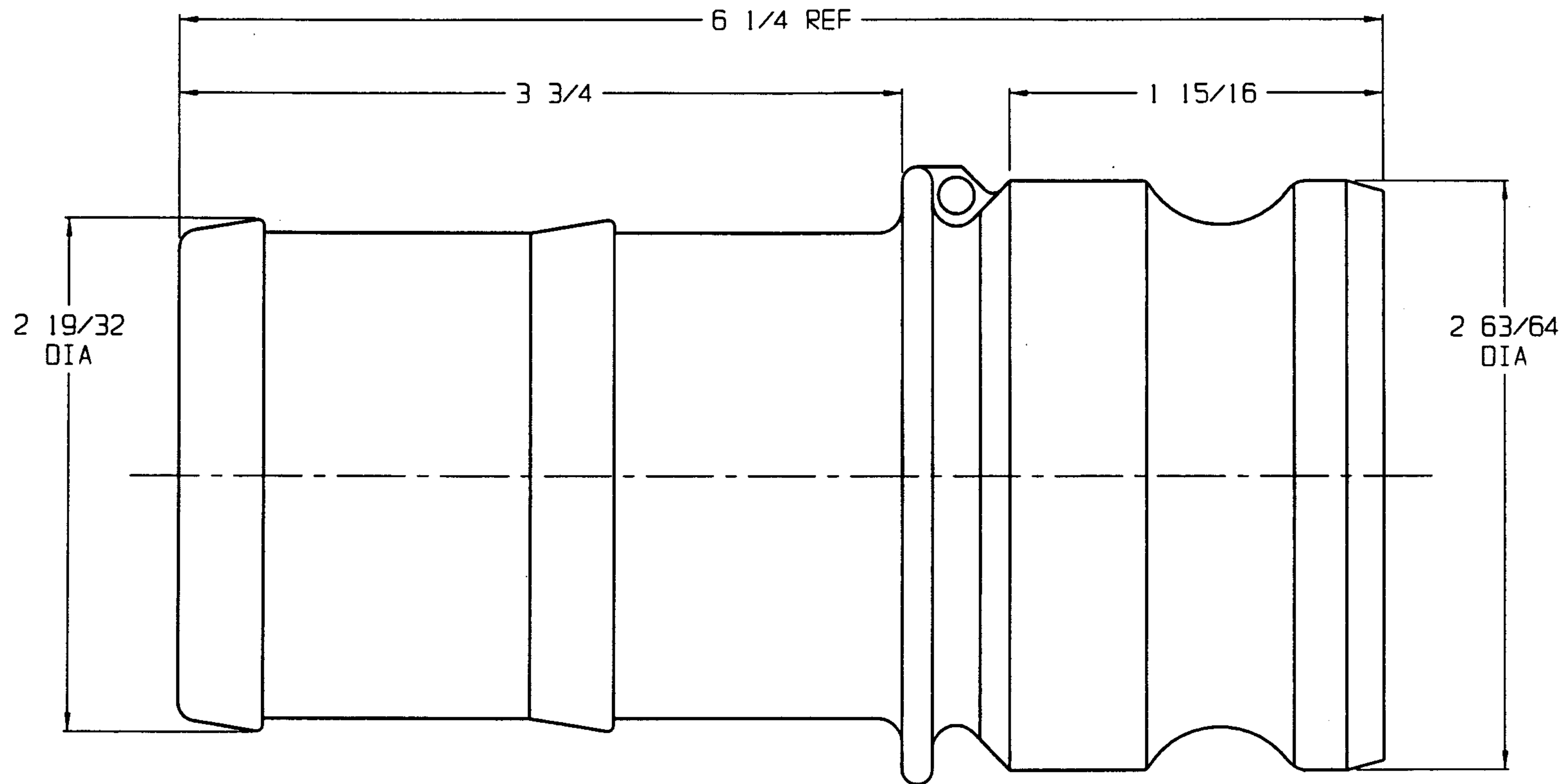
CUSTOMER DWG

DIXON VALVE & COUPLING CO. U. S. A.		
TITLE 2" ADAPTER X MACHINE HOSE SHANK		
DRWN BY: FJM 10/12/10	CHECKED BY: FJM 11/22/10	APPROVAL: <i>JJB</i> 12/1/10
MAT'L: STAINLESS STEEL		200-E-SS

2588

6/9/09

CUSTOMER DWG



250-E-AL
250-E-MI

CUSTOMER DWG

AGREEMENT TO MAINTAIN CONFIDENTIALITY

This drawing is owned by Dixon Valve & Coupling Co. and shall be returned upon demand. It is loaned on condition that it shall not be copied or reproduced or submitted to others without the owners consent. In accepting it subject to this condition the recipient further agrees that this drawing or any design detail or concept disclosed herein shall not be used in any way detrimental to or in competition with the Owner. If the recipient does not agree to the terms of this agreement, they shall return this drawing immediately.



The Right Connection™

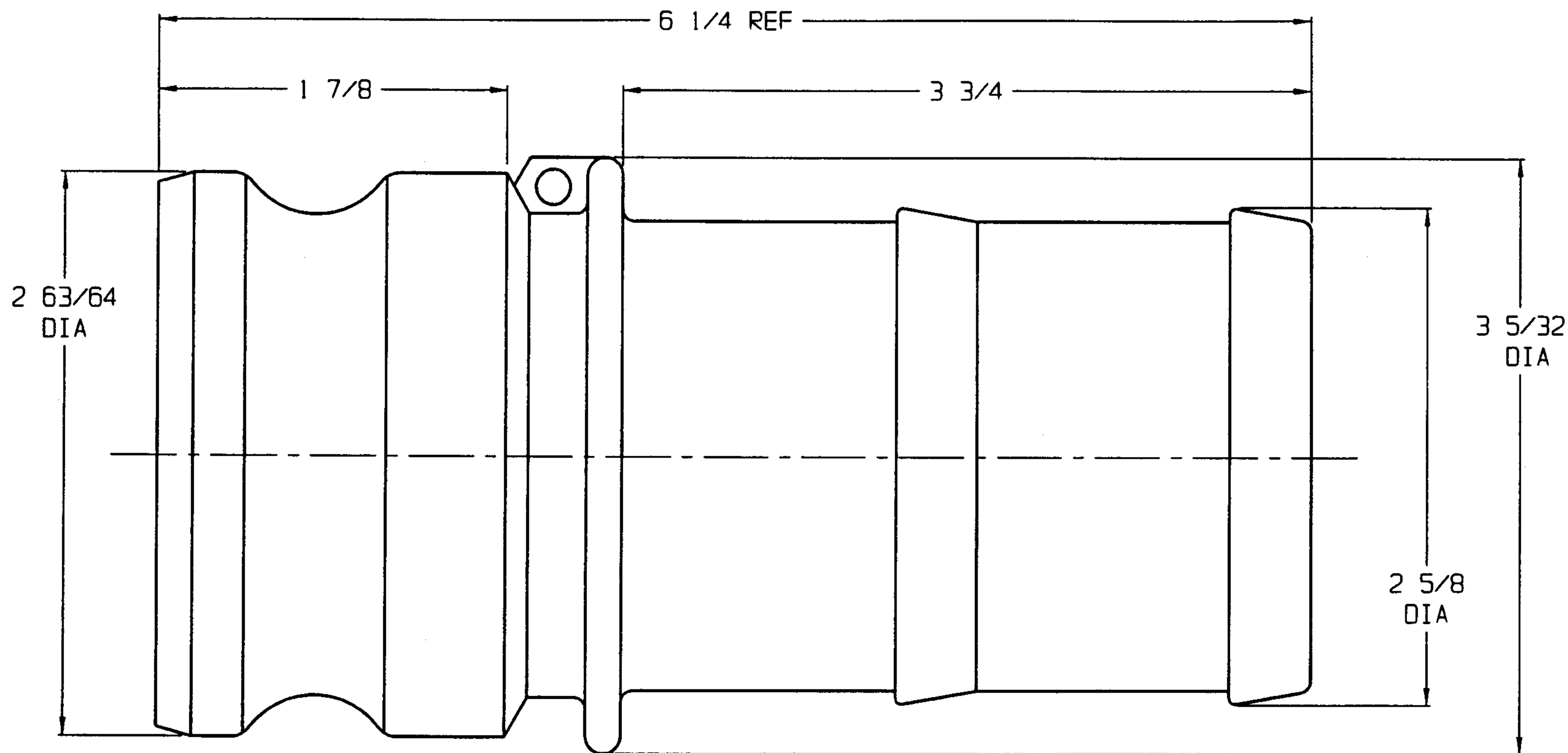
DIXON VALVE & COUPLING CO.
U. S. A.

TITLE 2 1/2" ADAPTER x HOSE SHANK		
DRAWN BY: KRISTY 08/24/01	CHECKED BY: 8/28/01 MDS	APPROVAL: <i>Job</i> 8/28/01
MAT'L ALUMINUM & MALLEABLE IRON		2588

2531

6/9/09

CUSTOMER DWG



250-E-SS

CUSTOMER DWG

AGREEMENT TO MAINTAIN CONFIDENTIALITY

This drawing is owned by Dixon Valve & Coupling Co. and shall be returned upon demand. It is loaned on condition that it shall not be copied or reproduced or submitted to others without the owners consent. In accepting it subject to this condition the recipient further agrees that this drawing or any design detail or concept disclosed herein shall not be used in any way detrimental to or in competition with the Owner. If the recipient does not agree to the terms of this agreement, they shall return this drawing immediately.



The Right Connection™

DIXON VALVE & COUPLING CO.
U. S. A.

TITLE

2 1/2" ADAPTER x HOSE SHANK

DRAWN BY:

KRISTY
08/24/01

CHECKED BY:

MDS
8/28/01

APPROVAL: JJJ

8/28/01

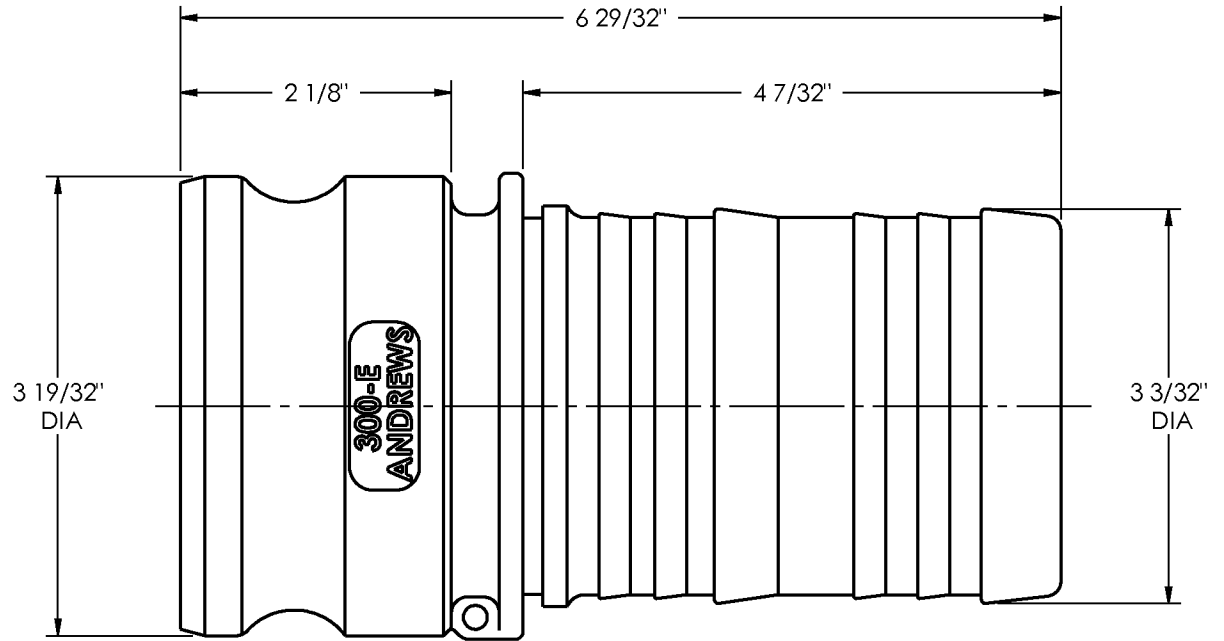
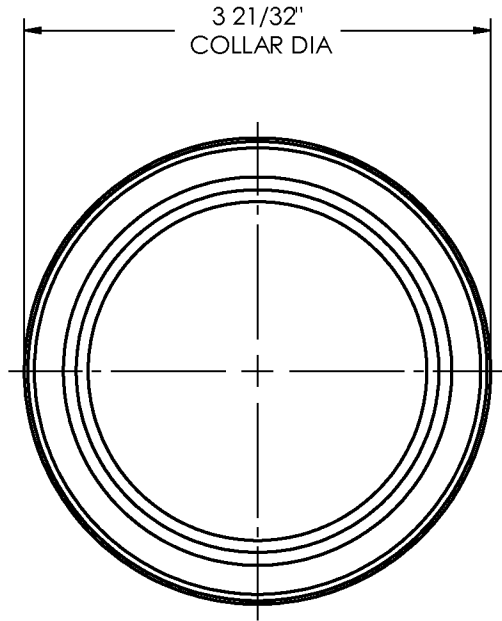
MAT'L

STAINLESS STEEL

2531

300-E-AL

CUSTOMER DWG



AGREEMENT TO MAINTAIN CONFIDENTIALITY

This drawing is owned by Dixon Valve & Coupling Co. and shall be returned upon demand. It is loaned on condition that it shall not be copied or reproduced or submitted to others without the owners consent. In accepting it subject to this condition the recipient further agrees that this drawing or any design detail or concept disclosed herein shall not be used in any way detrimental to or in competition with the owner. If the recipient does not agree to the terms of this agreement they shall return this drawing immediately. The information contained in this drawing is subject to change without notice.

REV: B

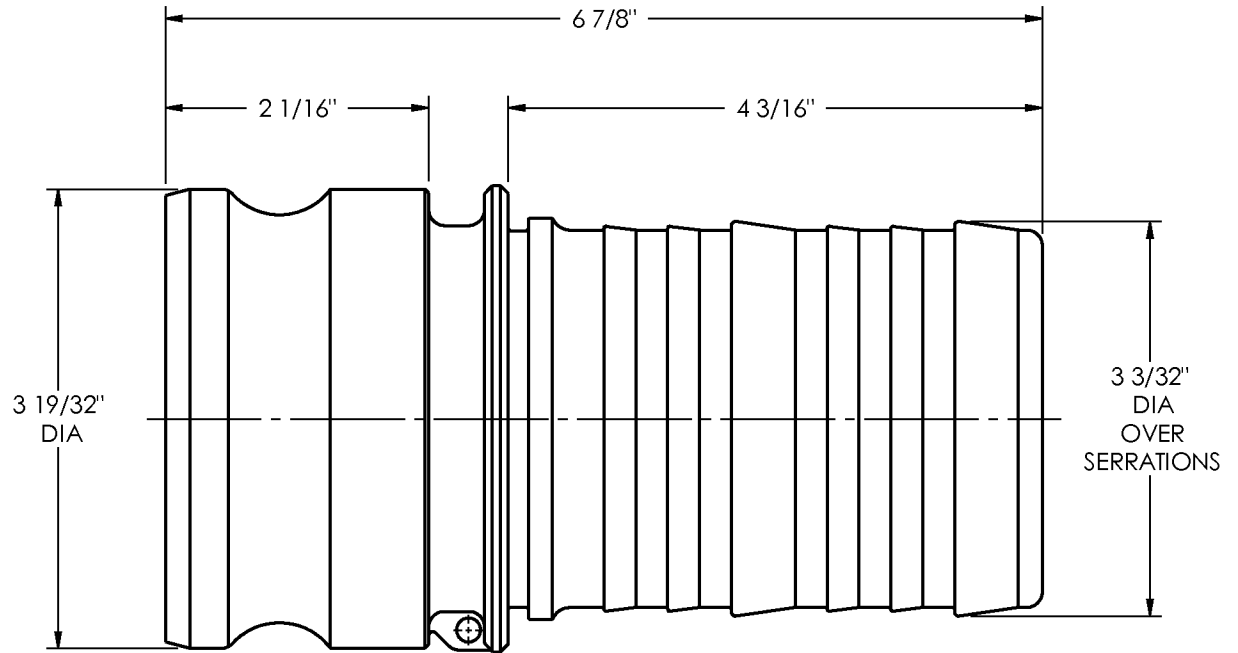
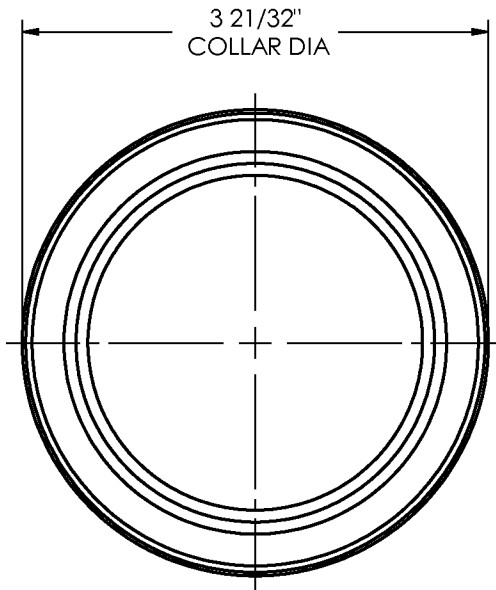
DWG No: 5138

CUSTOMER DWG

DIXON VALVE & COUPLING CO. U. S. A.		
TITLE 3" ADAPTER X HOSE SHANK		
DRWN BY: FJM 11/10/10	CHECKED BY: FJM 11/22/10	APPROVAL: JJB 12/1/10
MAT'L: ALUMINUM		300-E-AL

300-E-BR

CUSTOMER DWG



AGREEMENT TO MAINTAIN CONFIDENTIALITY

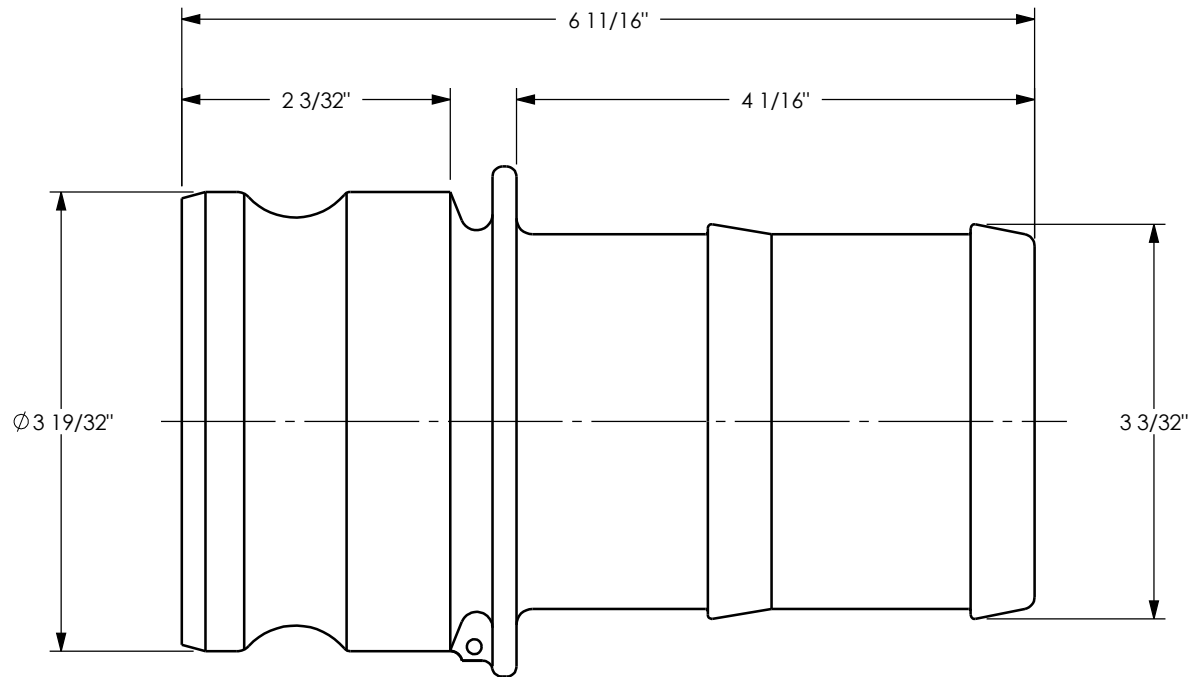
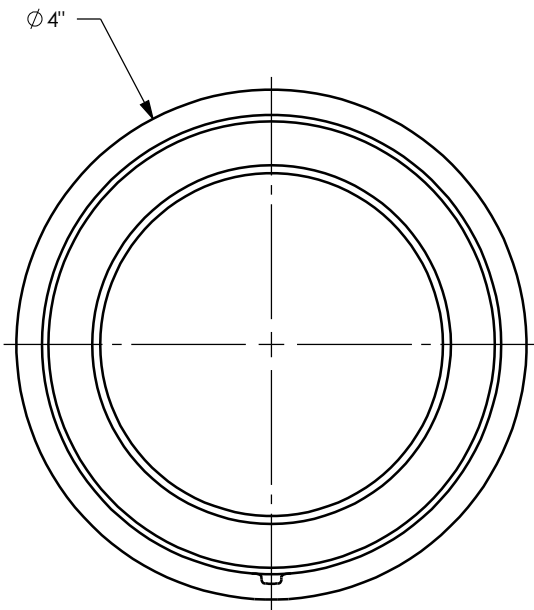
This drawing is owned by Dixon Valve & Coupling Co. and shall be returned upon demand. It is loaned on condition that it shall not be copied or reproduced or submitted to others without the owners consent. In accepting it subject to this condition the recipient further agrees that this drawing or any design detail or concept disclosed herein shall not be used in any way detrimental to or in competition with the owner. If the recipient does not agree to the terms of this agreement they shall return this drawing immediately. The information contained in this drawing is subject to change without notice.

REV: C

DWG No: 5083

CUSTOMER DWG

DIXON VALVE & COUPLING CO. U. S. A.		
TITLE 3" ADAPTER X HOSE SHANK		
DRWN BY: MHM 11/11/10	CHECKED BY: FJM 11/22/10	APPROVAL: <i>JJB</i> 12/1/10
MAT'L: BRASS		300-E-BR



PROPRIETARY AND CONFIDENTIAL

This drawing is owned by Dixon Valve & Coupling Co. and shall be returned upon demand. It is loaned on condition that it shall not be copied or reproduced or submitted to others without the owners consent. In accepting it subject to this condition the recipient further agrees that this drawing or any design detail or concept disclosed herein shall not be used in any way detrimental to or in competition with the owner. If the recipient does not agree to the terms of this agreement they shall return this drawing immediately. The information contained in this drawing is subject to change without notice.

DO NOT SCALE THIS DRAWING

DIXON U.S.A.

THE RIGHT CONNECTION™

TITLE:

3" DIXON TYPE E ADAPTER

MATERIAL:

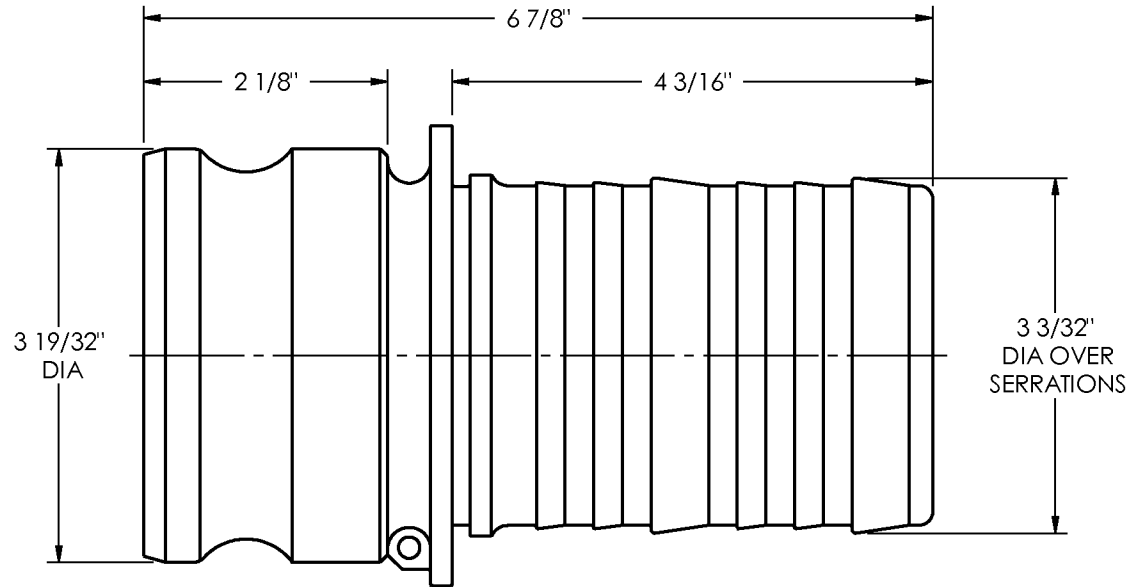
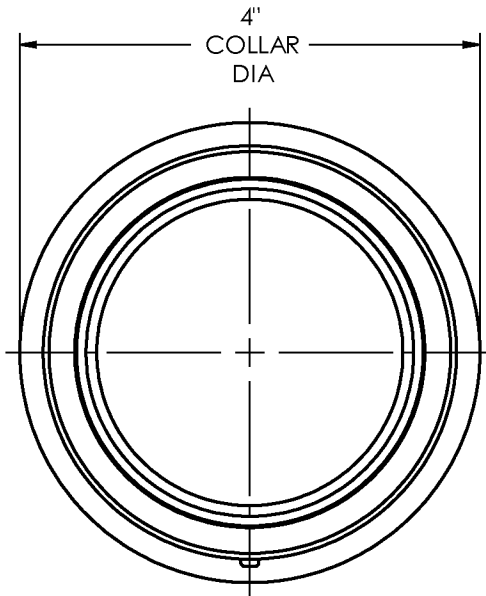
IRON

PART NUMBER:

300-E-MI

300-E-SS

CUSTOMER DWG



DWG NO.: 5098

CUSTOMER DWG

DIXON VALVE & COUPLING CO.
U. S. A.

TITLE

3" ADAPTER X MACHINE HOSE SHANK

DRWN BY:

FJM
12/15/10

CHECKED BY:

FJM
12/16/10

APPROVAL:

JAB
12/20/10

MAT'L:

STAINLESS STEEL

300-E-SS

AGREEMENT TO MAINTAIN CONFIDENTIALITY

This drawing is owned by Dixon Valve & Coupling Co. and shall be returned upon demand. It is loaned on condition that it shall not be copied or reproduced or submitted to others without the owners consent. In accepting it subject to this condition the recipient further agrees that this drawing or any design detail or concept disclosed herein shall not be used in any way detrimental to or in competition with the owner. If the recipient does not agree to the terms of this agreement they shall return this drawing immediately. The information contained in this drawing is subject to change without notice.

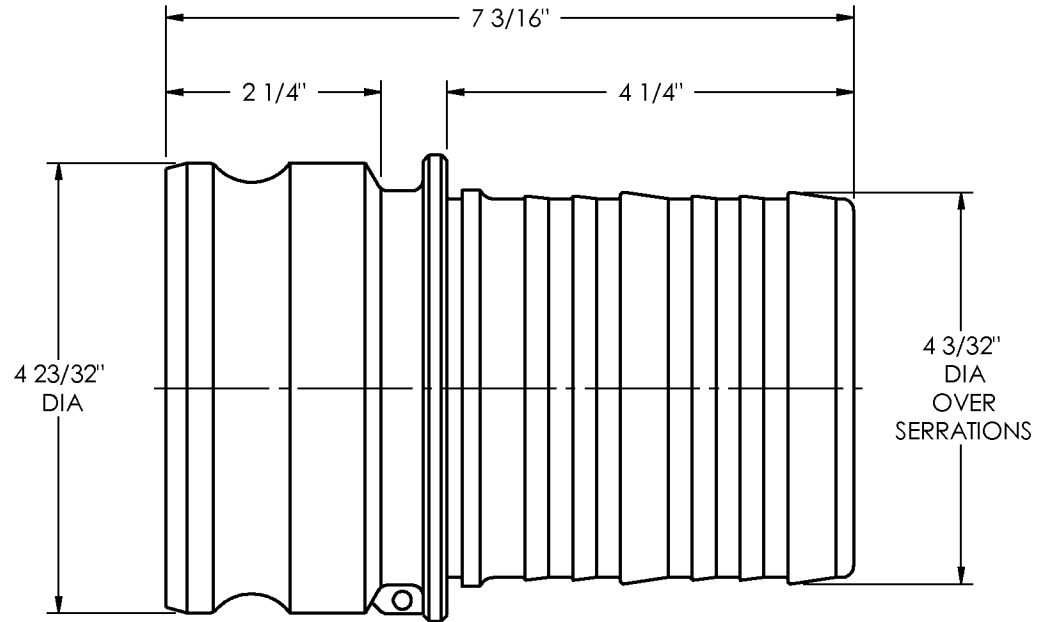
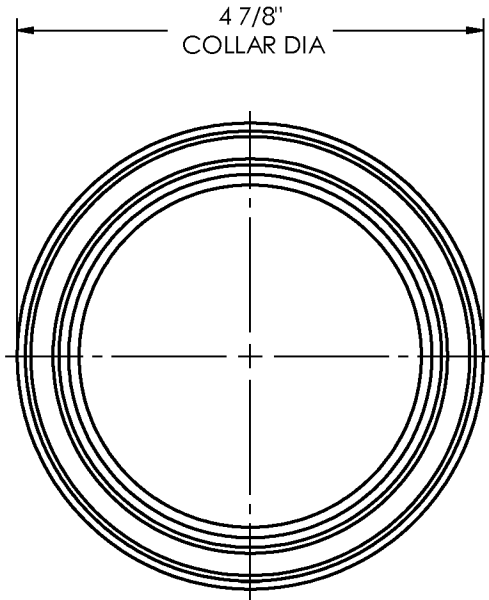
REV: B



The Right Connection™

400-E-AL

CUSTOMER DWG



DWG. NO.: 5089

CUSTOMER DWG

DIXON VALVE & COUPLING CO.
U. S. A.

TITLE

DIXON / BOSS-LOCK TYPE 'E' ADAPTER
4" ADAPTER X MACHINE HOSE SHANK

DRWN BY:

FJM
1/6/11

CHECKED BY:

FJM

1/6/11

APPROVAL:

JJB

1/6/11

MAT'L:

ALUMINUM

400-E-AL

AGREEMENT TO MAINTAIN CONFIDENTIALITY

This drawing is owned by Dixon Valve & Coupling Co. and shall be returned upon demand. It is loaned on condition that it shall not be copied or reproduced or submitted to others without the owners consent. In accepting it subject to this condition the recipient further agrees that this drawing or any design detail or concept disclosed herein shall not be used in any way detrimental to or in competition with the owner. If the recipient does not agree to the terms of this agreement they shall return this drawing immediately. The information contained in this drawing is subject to change without notice.

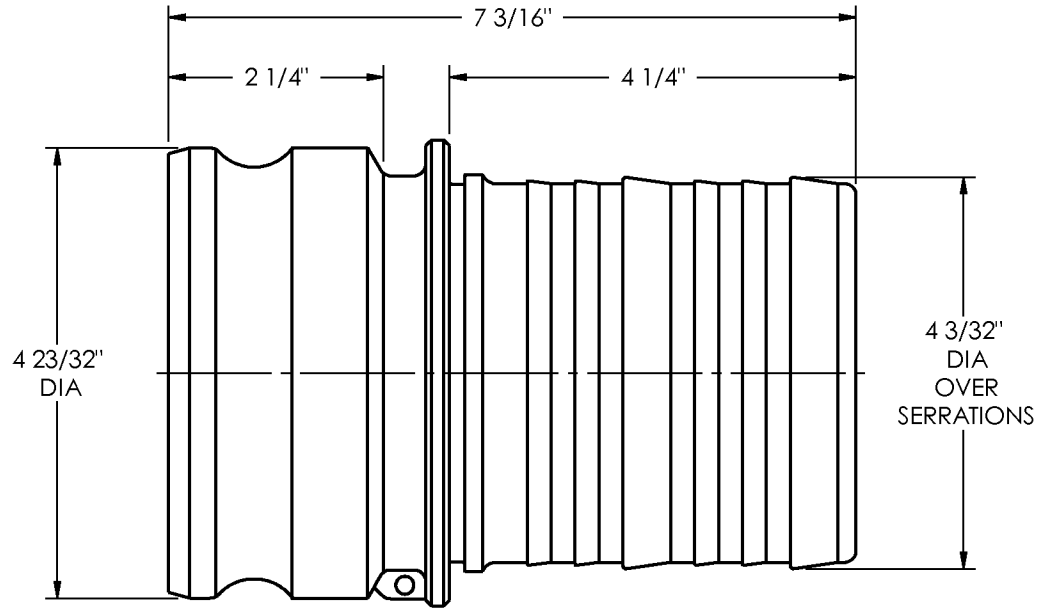
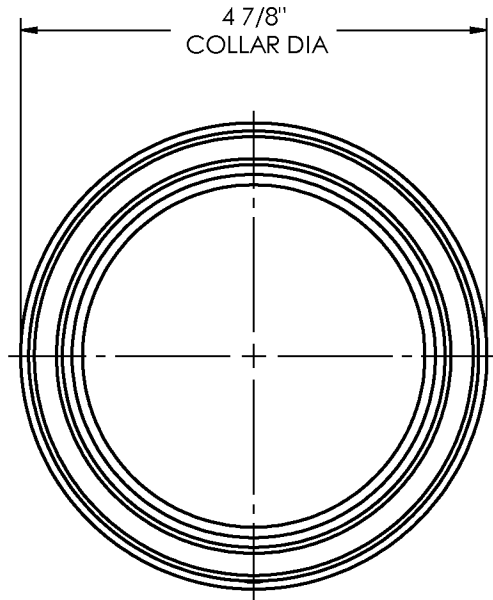
REV: B



The Right Connection™

400-E-BR

CUSTOMER DWG



AGREEMENT TO MAINTAIN CONFIDENTIALITY

This drawing is owned by Dixon Valve & Coupling Co. and shall be returned upon demand. It is loaned on condition that it shall not be copied or reproduced or submitted to others without the owners consent. In accepting it subject to this condition the recipient further agrees that this drawing or any design detail or concept disclosed herein shall not be used in any way detrimental to or in competition with the owner. If the recipient does not agree to the terms of this agreement they shall return this drawing immediately. The information contained in this drawing is subject to change without notice.

REV: A

DWG NO.: 5143

CUSTOMER DWG

DIXON VALVE & COUPLING CO.
U. S. A.

TITLE

DIXON/BOSS-LOCK TYPE E ADAPTER
4" ADAPTER X MACHINE HOSE SHANK

DRWN BY:

FJM
1/3/11

CHECKED BY:

FJM
1/6/11

APPROVAL:

JAB
1/6/11

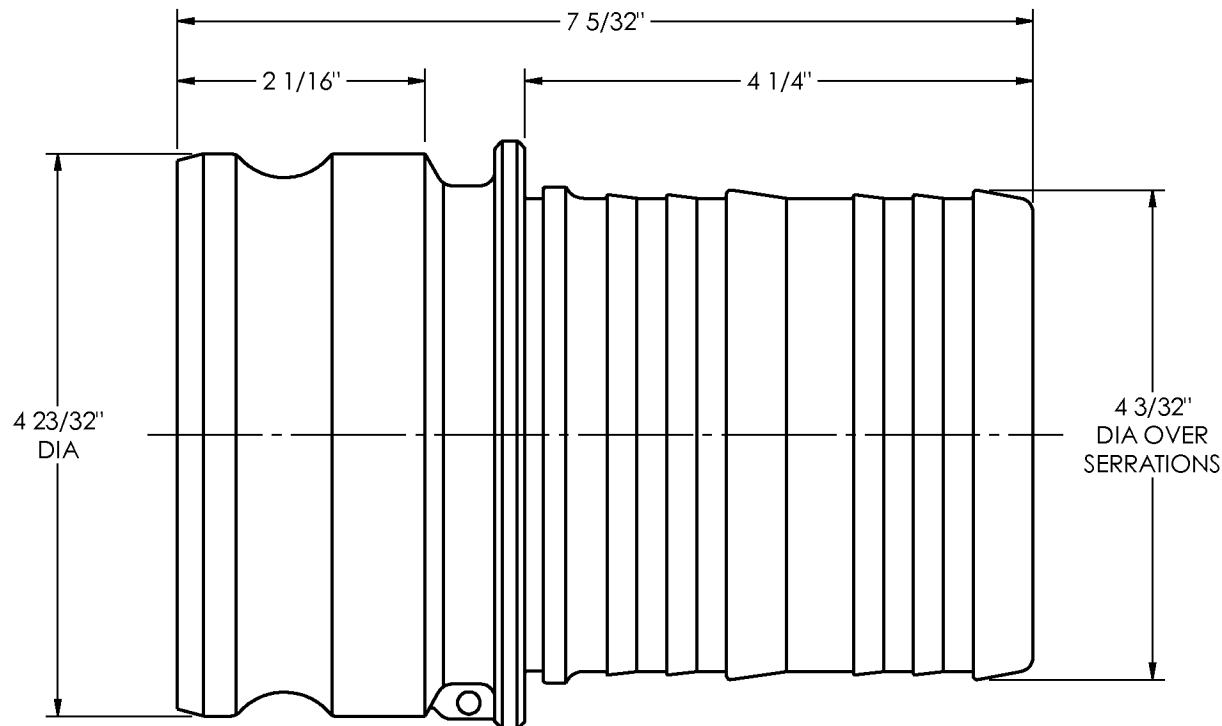
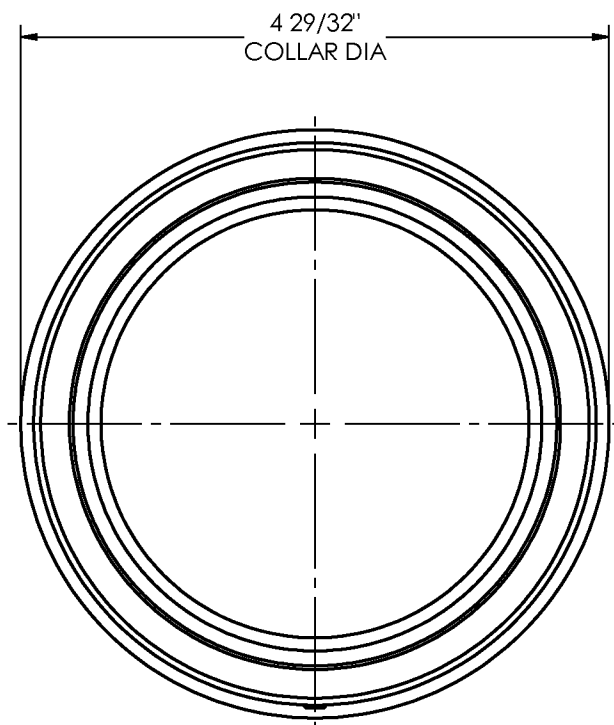
MAT'L:

BRASS

400-E-BR

400-E-MI

CUSTOMER DWG



DWG NO.: 5252

CUSTOMER DWG

DIXON VALVE & COUPLING CO. U. S. A.

TITLE
CRIMP STYLE DOMESTIC CAM AND GROOVE
4" TYPE E ADAPTER

DRWN BY:
FJM
9/30/11

CHECKED BY: *FJM*
9/30/11

APPROVAL:
SE
10-3-11

MAT'L:
IRON

400-E-MI

AGREEMENT TO MAINTAIN CONFIDENTIALITY

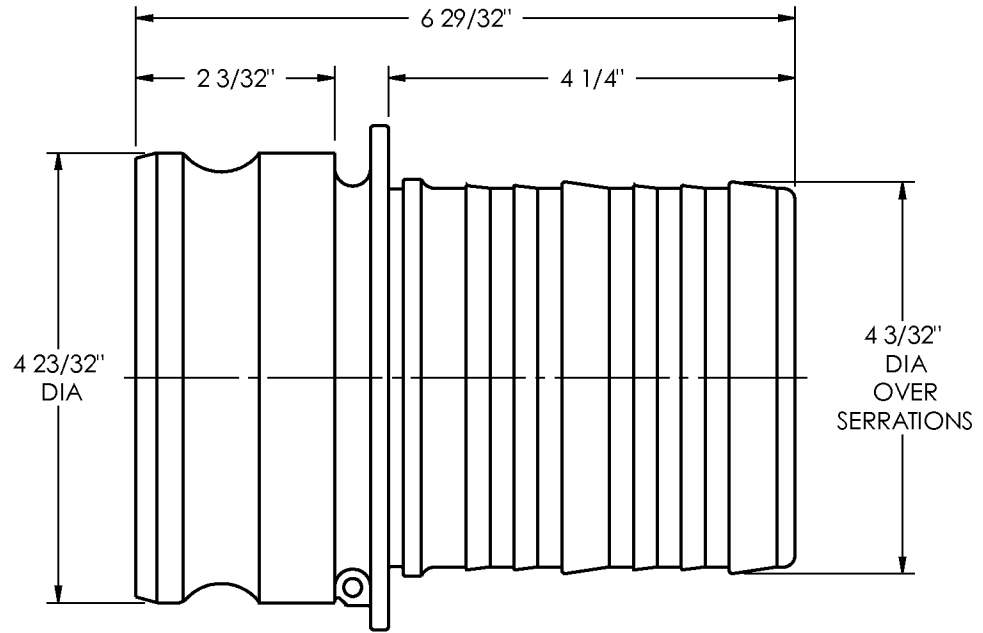
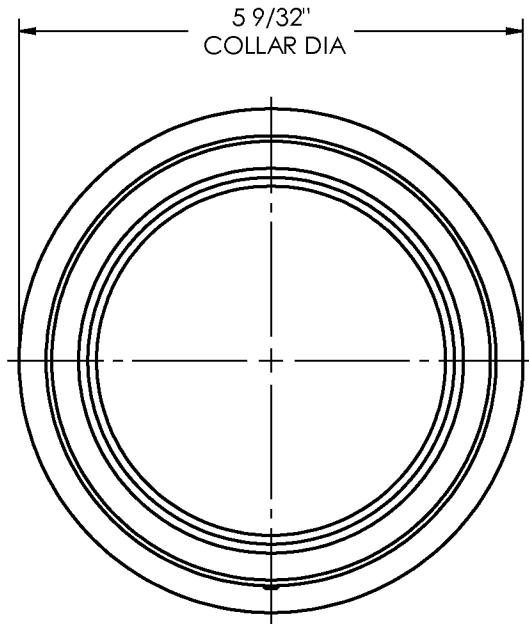
This drawing is owned by Dixon Valve & Coupling Co. and shall be returned upon demand. It is loaned on condition that it shall not be copied or reproduced or submitted to others without the owners consent. In accepting it subject to this condition the recipient further agrees that this drawing or any design detail or concept disclosed herein shall not be used in any way detrimental to or in competition with the owner. If the recipient does not agree to the terms of this agreement they shall return this drawing immediately. The information contained in this drawing is subject to change without notice.

REV: A



400-E-SS

CUSTOMER DWG



AGREEMENT TO MAINTAIN CONFIDENTIALITY

This drawing is owned by Dixon Valve & Coupling Co. and shall be returned upon demand. It is loaned on condition that it shall not be copied or reproduced or submitted to others without the owners consent. In accepting it subject to this condition the recipient further agrees that this drawing or any design detail or concept disclosed herein shall not be used in any way detrimental to or in competition with the owner. If the recipient does not agree to the terms of this agreement they shall return this drawing immediately. The information contained in this drawing is subject to change without notice.

REV: B

DWG NO.: 5094

CUSTOMER DWG

DIXON VALVE & COUPLING CO.
U. S. A.

TITLE

DIXON/BOSS-LOCK TYPE 'E' ADAPTER
4" ADAPTER X MACHINE HOSE SHANK

DRWN BY:

FJM
1/3/11

CHECKED BY:

FJM
1/6/11

APPROVAL:

1/6/11

MAT'L:

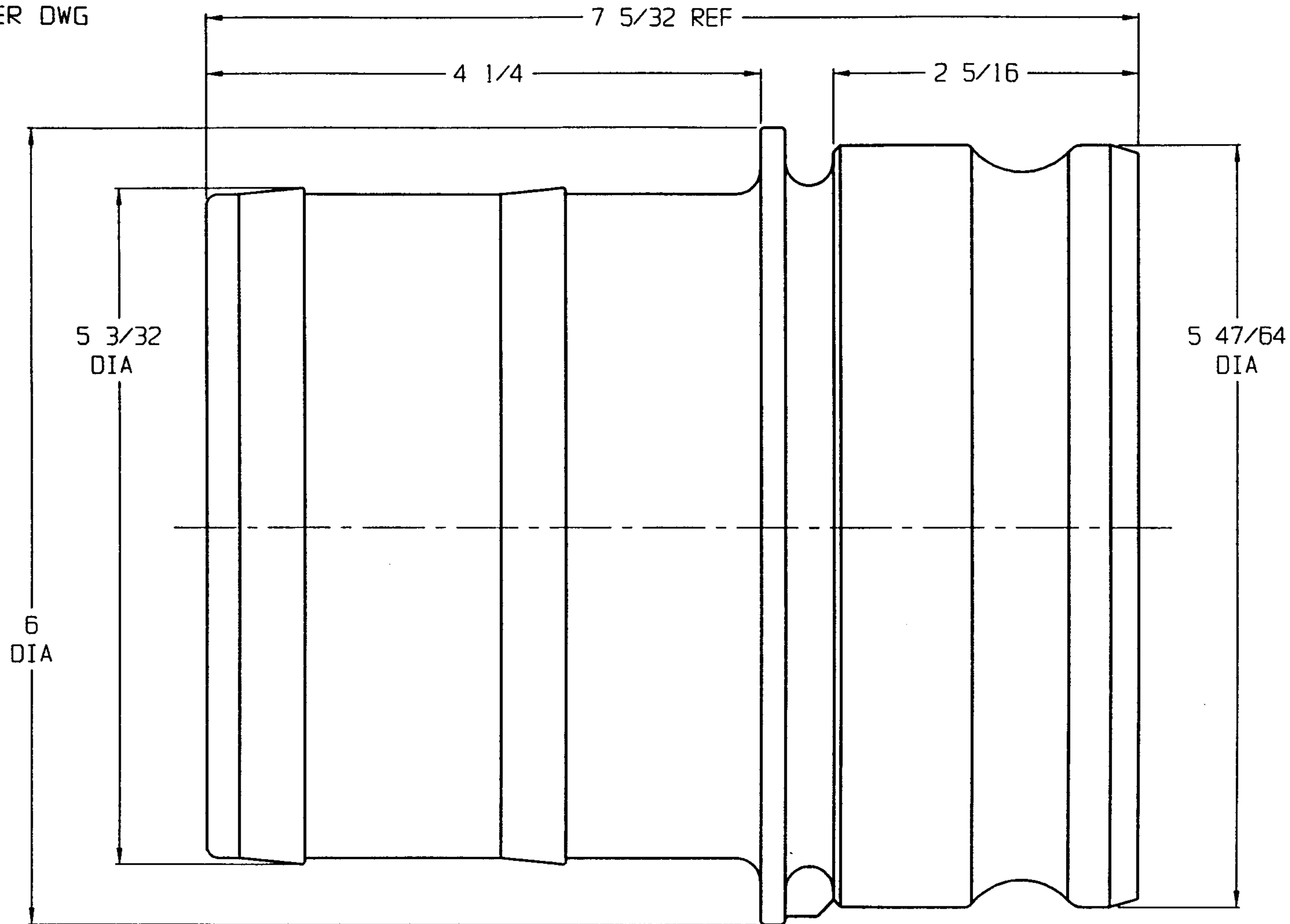
STAINLESS STEEL

400-E-SS

3781

6/10/09

CUSTOMER DWG



500-E-AL
 500-E-BR
 500-E-MI

CUSTOMER DWG

AGREEMENT TO MAINTAIN CONFIDENTIALITY

This drawing is owned by Dixon Valve & Coupling Co. and shall be returned upon demand. It is loaned on condition that it shall not be copied or reproduced or submitted to others without the owners consent. In accepting it subject to this condition the recipient further agrees that this drawing or any design detail or concept disclosed herein shall not be used in any way detrimental to or in competition with the Owner. If the recipient does not agree to the terms of this agreement, they shall return this drawing immediately.



The Right Connection™

DIXON VALVE & COUPLING CO.
 U. S. A.

TITLE

5" ADAPTER x HOSE SHANK

DRAWN BY:

KRISTY
 07/18/01

CHECKED BY:

MDS
 7-23-01

APPROVAL:

JTB
 7/23/01

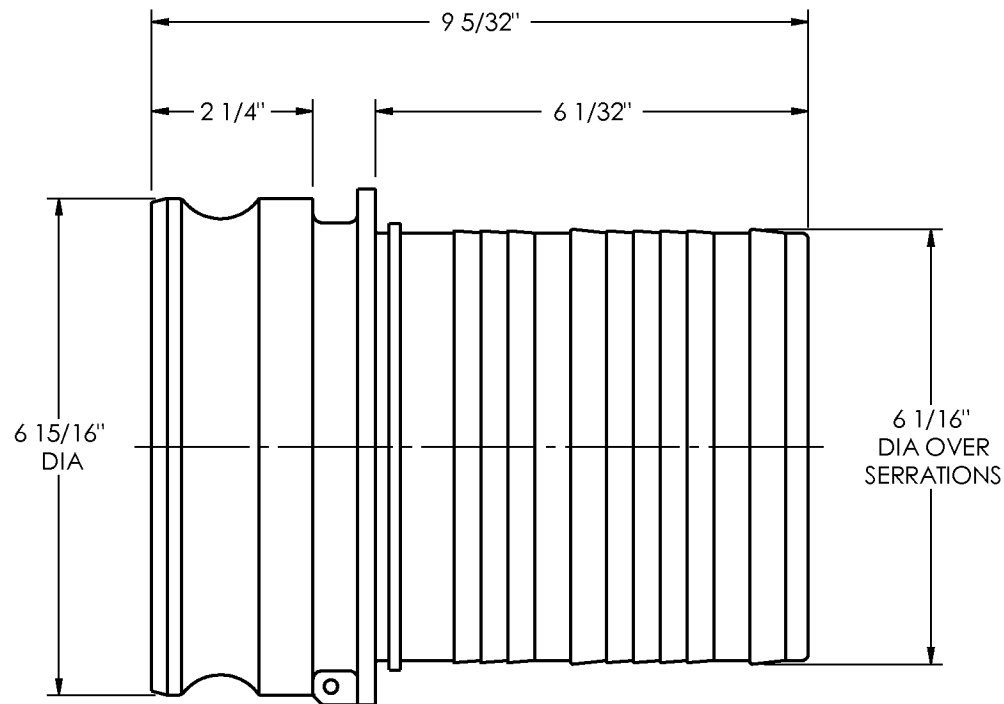
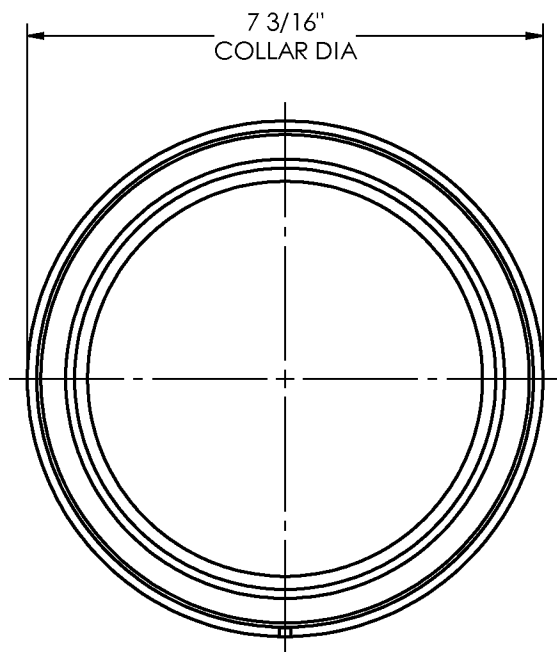
MAT'L

ALUMINUM, BRASS,
 & MALLEABLE IRON

3781

600-E-AL

CUSTOMER DWG



DWG. NO.: 5130

CUSTOMER DWG



AGREEMENT TO MAINTAIN CONFIDENTIALITY

This drawing is owned by Dixon Valve & Coupling Co. and shall be returned upon demand. It is loaned on condition that it shall not be copied or reproduced or submitted to others without the owners consent. In accepting it subject to this condition the recipient further agrees that this drawing or any design detail or concept disclosed herein shall not be used in any way detrimental to or in competition with the owner. If the recipient does not agree to the terms of this agreement they shall return this drawing immediately.

REV: C

DIXON VALVE & COUPLING CO. U. S. A.

TITLE
CRIMP STYLE DOMESTIC CAM AND GROOVE
6" TYPE E ADAPTER

DRWN BY:
JAT
3/8/12

CHECKED BY:
SE
3-22-12

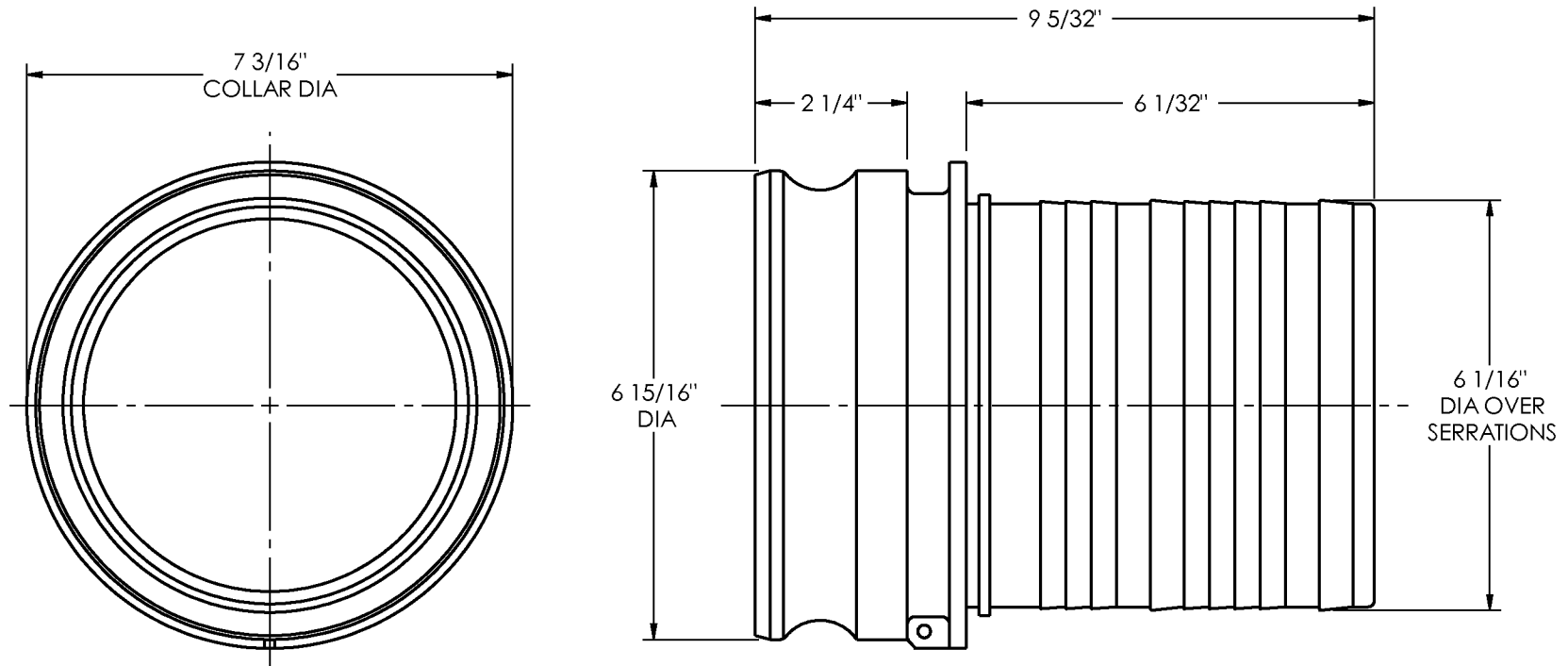
APPROVAL:
SE
3-22-12

MAT'L:
ALUMINUM

600-E-AL

600-E-BR

CUSTOMER DWG



DWG. NO.: 5156

CUSTOMER DWG



AGREEMENT TO MAINTAIN CONFIDENTIALITY

This drawing is owned by Dixon Valve & Coupling Co. and shall be returned upon demand. It is loaned on condition that it shall not be copied or reproduced or submitted to others without the owners consent. In accepting it subject to this condition the recipient further agrees that this drawing or any design detail or concept disclosed herein shall not be used in any way detrimental to or in competition with the owner. If the recipient does not agree to the terms of this agreement they shall return this drawing immediately.

REV: B

DIXON VALVE & COUPLING CO.
U. S. A.

TITLE
CRIMP STYLE DOMESTIC CAM AND GROOVE
6" TYPE E ADAPTER

DRWN BY: JAT
3/9/12

CHECKED BY: GMJ
03/12/12

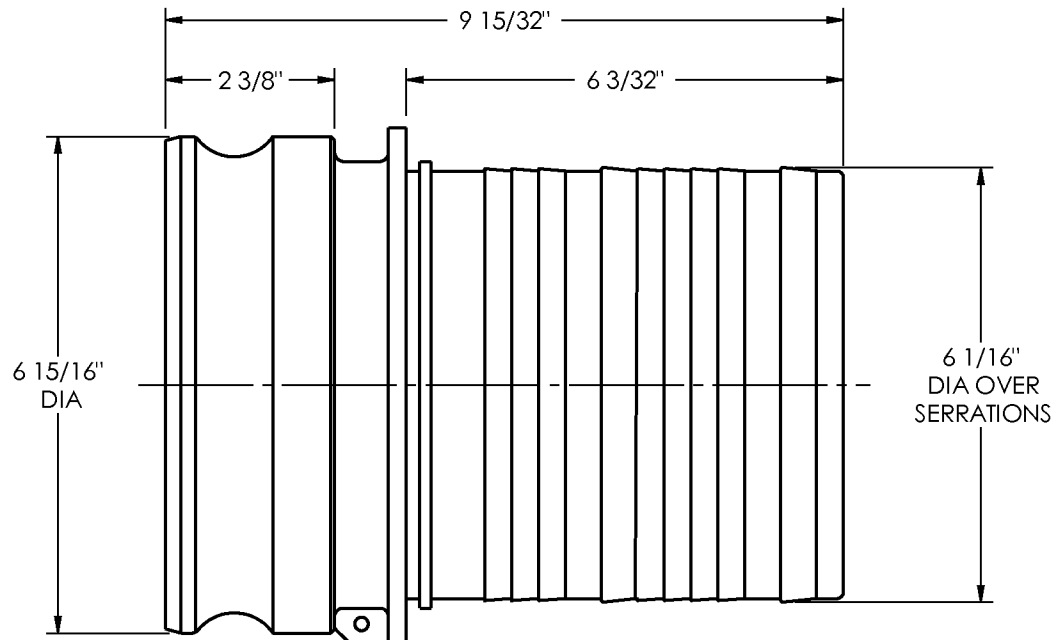
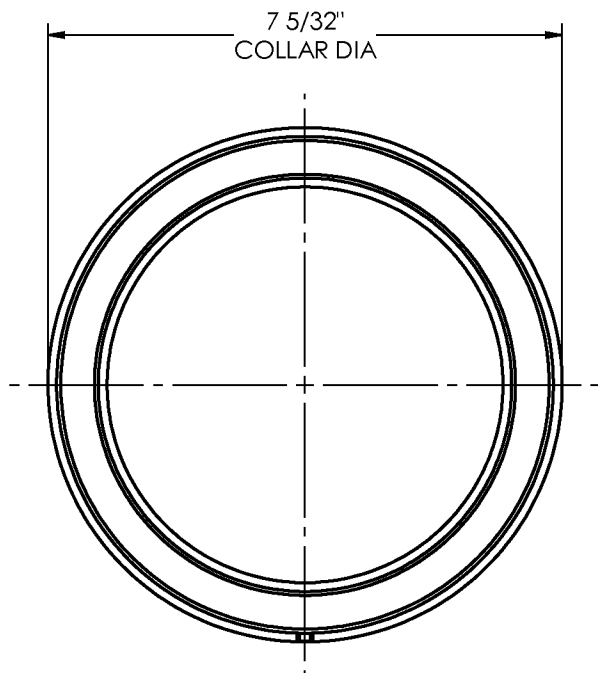
APPROVAL: SE
3-13-12

MAT'L: BRASS

600-E-BR

600-E-SS

CUSTOMER DWG



AGREEMENT TO MAINTAIN CONFIDENTIALITY

This drawing is owned by Dixon Valve & Coupling Co. and shall be returned upon demand. It is loaned on condition that it shall not be copied or reproduced or submitted to others without the owners consent. In accepting it subject to this condition the recipient further agrees that this drawing or any design detail or concept disclosed herein shall not be used in any way detrimental to or in competition with the owner. If the recipient does not agree to the terms of this agreement they shall return this drawing immediately. The information contained in this drawing is subject to change without notice.

REV: B

DWG. NO.: 5132

CUSTOMER DWG

DIXON VALVE & COUPLING CO.
U. S. A.

TITLE
CRIMP STYLE DOMESTIC CAM AND GROOVE
6" TYPE E ADAPTER

DRWN BY: JAT
3/9/12

CHECKED BY: GMJ
03/12/12

APPROVAL: SE
3-13-12

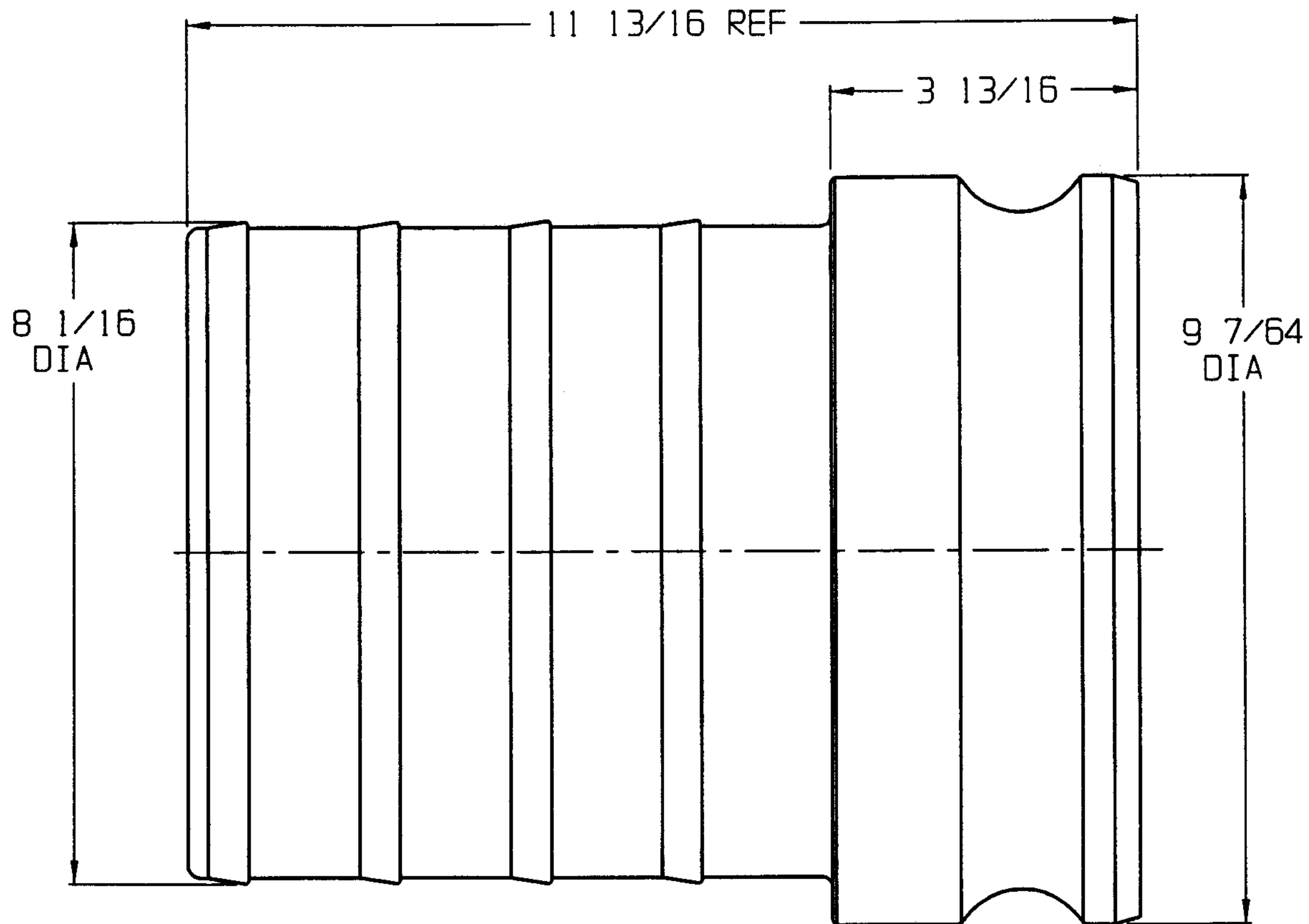
MAT'L:
STAINLESS STEEL

600-E-SS

3974

6/10/09

CUSTOMER DWG



800-E-AL
 800-E-BR
 800-E-MI

CUSTOMER DWG

AGREEMENT TO MAINTAIN CONFIDENTIALITY

This drawing is owned by Dixon Valve & Coupling Co. and shall be returned upon demand. It is loaned on condition that it shall not be copied or reproduced or submitted to others without the owners consent. In accepting it subject to this condition the recipient further agrees that this drawing or any design detail or concept disclosed herein shall not be used in any way detrimental to or in competition with the Owner. If the recipient does not agree to the terms of this agreement, they shall return this drawing immediately.



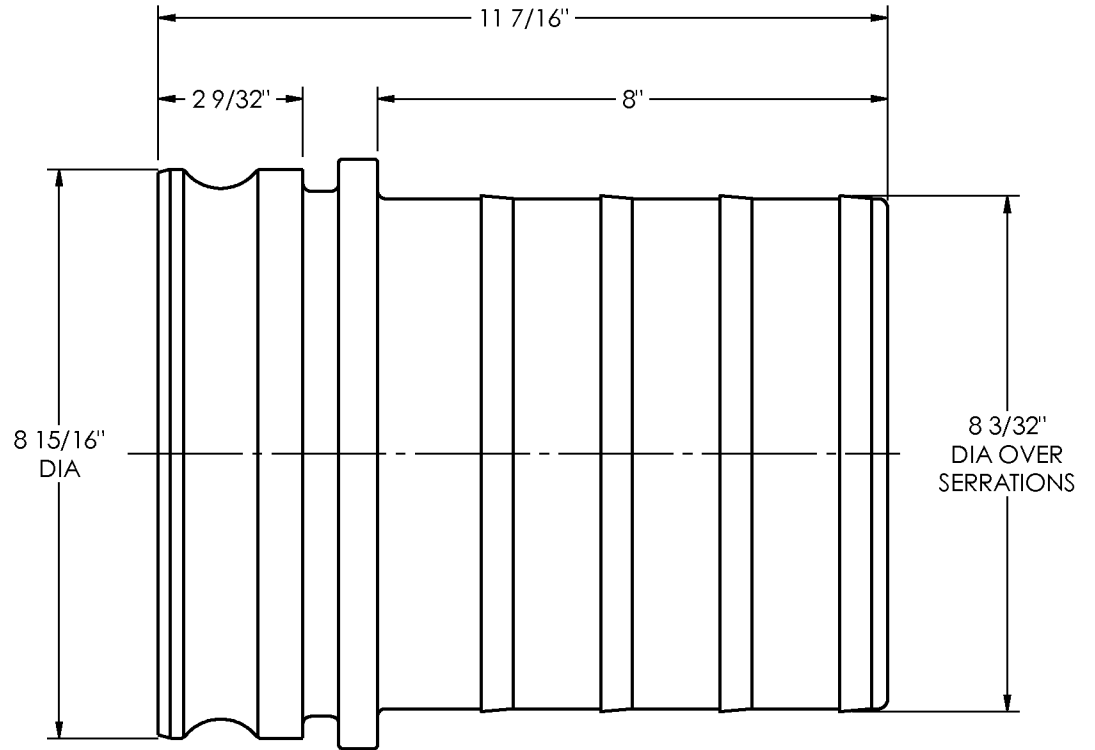
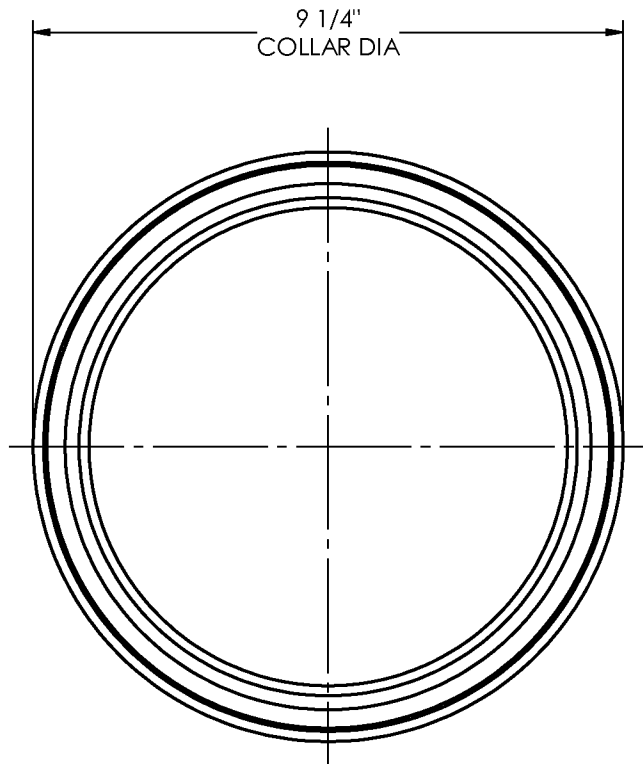
The Right Connection™

DIXON VALVE & COUPLING CO.
 U. S. A.

TITLE		
8" ADAPTER x HOSE SHANK		
DRAWN BY: KRISTY 08/23/01	CHECKED BY: 8/23/01 MDS	APPROVAL: JJD 8/23/01
MAT'L ALUMINUM, BRASS, & MALLEABLE IRON		3974

801-E-AL

CUSTOMER DWG



AGREEMENT TO MAINTAIN CONFIDENTIALITY

This drawing is owned by Dixon Valve & Coupling Co. and shall be returned upon demand. It is loaned on condition that it shall not be copied or reproduced or submitted to others without the owners consent. In accepting it subject to this condition the recipient further agrees that this drawing or any design detail or concept disclosed herein shall not be used in any way detrimental to or in competition with the owner. If the recipient does not agree to the terms of this agreement they shall return this drawing immediately. The information contained in this drawing is subject to change without notice.

REV:

DWG NO.: 5250

CUSTOMER DWG

DIXON VALVE & COUPLING CO. U. S. A.		
TITLE 8" BOSS-LOCK TYPE E ADAPTER MALE ADAPTER X HOSE SHANK		
DRWN BY: JAT 4/11/11	CHECKED BY: FJM 4/11/11	APPROVAL: SE 4-13-11
MAT'L: ALUMINUM		801-E-AL