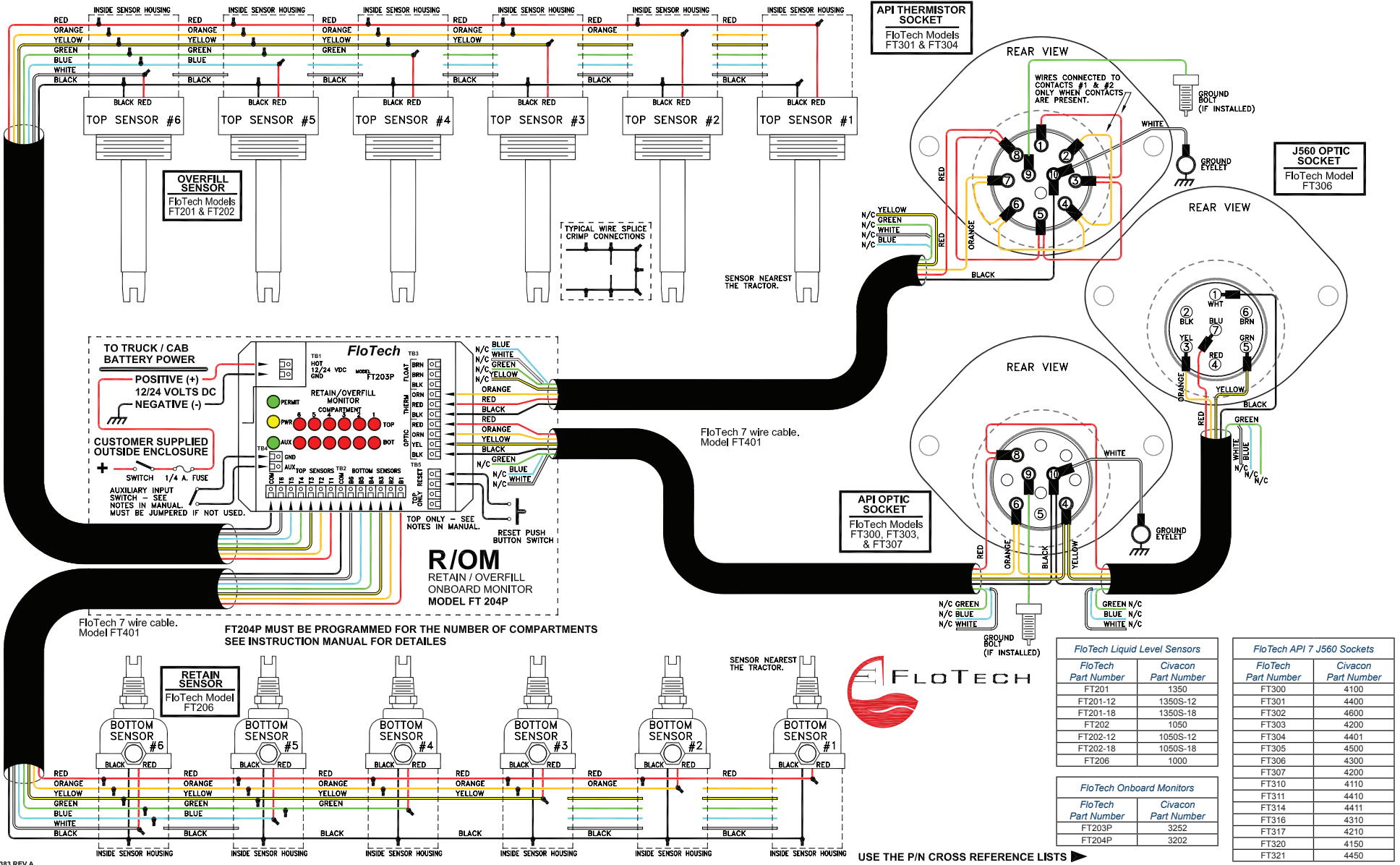




The Right Connection®

R/OM Type Retain and Overfill System



10383 REV A

USE THE P/N CROSS REFERENCE LISTS

Dixon Bayco

800 High Street • Chestertown, MD 21620

ph 800.355.1991 • fx 800.283.4966

dixonvalve.com